



OFFICIAL UK DISTRIBUTORS FOR:



DRM Technic

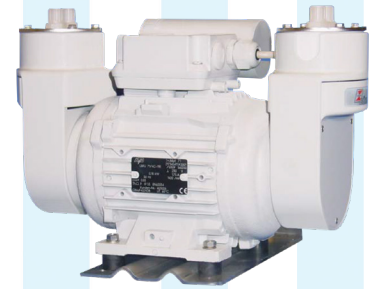
Suppliers of Gas Analysis Equipment

**P4.3 / P4.83
Sample Gas Pumps**

P4.3 / P4.83 SAMPLE GAS PUMPS

Reliable, long life Sample Gas Pumps, specified for harsh gas applications with entrained liquids and a high possibility of condensate formation.

The P4.3 and P4.83 have two identical pump heads attached to a double shaft motor, specified for use in applications requiring two independent gas streams.



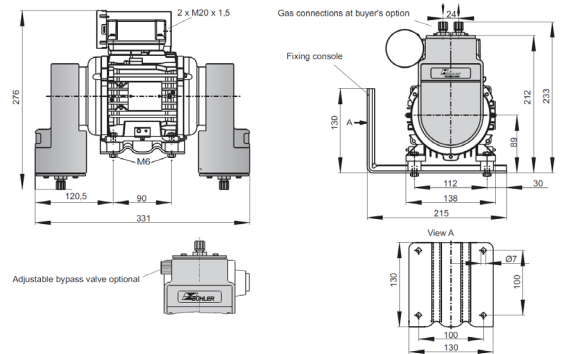
FEATURES

**Robust and Reliable Design | Easy to Replace Valves | Long Life | Bellow Made of One Solid Piece
Low Noise | Fixing Console Vibration Dampers as Standard**

SPECIFICATIONS

Product No.	P4.3	P4.83
Flow Rate	2x 400 l/h	2x 800 l/h
Nominal Voltage/ Current	230 V 50/60 Hz, 1.75/1.45 A 115 V 50/60 Hz, 3.5/2.9 A	
Protection Class	Electrical: IP55 Mechanical: IP20	
Weight	12.5 kg	
Dead Volume	2x 8.5 ml	
Media Temperature	PTFE/PVDF: 100 °C PTFE/PEEK: 160 °C	

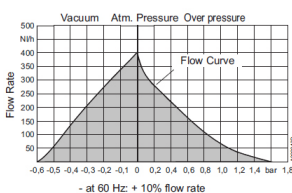
TECHNICAL DRAWINGS



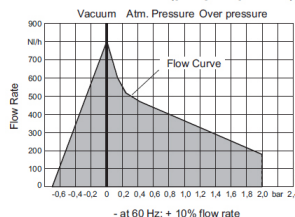
All measurements in mm

FLOW CURVES

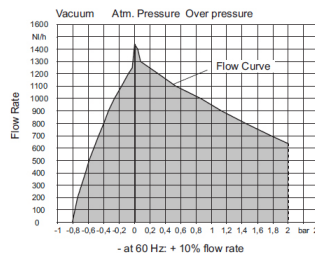
Flow Curve P4.3 (per pump head)



Flow Curve P4.83 (per pump head)



Flow Curve P4.83 in parallel Operation



OPTIONS & ACCESSORIES

- Hose Connecting Set
- Pipe Connecting Set

CONTACT US: DRM Technic, 15C Raleigh Hall Industrial Estate, Stafford, Staffordshire, ST21 6JL