



OFFICIAL UK DISTRIBUTORS FOR:



DRM Technic

Suppliers of Gas Analysis Equipment

**P1.3 Sample Gas Pump
ATEX Approved**

P1.3 SAMPLE GAS PUMPS

P1.3 Sample Gas Pumps are ATEX-certified pumps for use in applications involving volatile or explosive gases.



FEATURES

**ATEX, IECEx, C1.1 and Div.2 Approved | Easy to Replace Valves | Single Piece Bellows
Conveys Sample Gas with Condensate | 12 V / 24 V Versions Available | Optional In-Built Bypass Valve**

SPECIFICATIONS

Product No.	P1.3
Nominal Voltage / Current Consumption	230 V 50 Hz, 0.48 A 115 V 60 Hz, 0.84 A 12 V DC, 1.55 A 24 V DC, 0.8 A
Weight (w/o Accessories)	Approx. 1.3 kg (12 V / 24 V versions: approx. 0.8 kg)
Ambient Temperatures	0 ... 50 °C
Nominal Output	280 l/h
Materials in Contact with Media	PTFE, PVDF, 1.4571 SS, 1.4401 SS, Viton (configuration dependent)
Protection Markings	ATEX: II 3G Ex nA nC IIC T4...T3 Gc; ii 3/3G c IIC T3/T4 X IECEx: IECEx FMG 16.0012X; Ex nA nC IIC T4...T3 Gc US/Canada: C1.1, Div.2, Gps. A, B, C, D, T4...T3

Temperature Classes

Type of Gas	Max. Medium Temp.	Temperature Class	
		At Installation Site	In Gas Path
Non-Flammable	50 °C	T4	--
	70 °C	T3	--
Flammable	50 °C	T4	T3

**For more information, please contact our sales department (contact details below).
Technical Drawings can be found overleaf.**

CONTACT US: DRM Technic, 15C Raleigh Hall Industrial Estate, Stafford, Staffordshire, ST21 6JL



OFFICIAL UK DISTRIBUTORS FOR:



DRM Technic

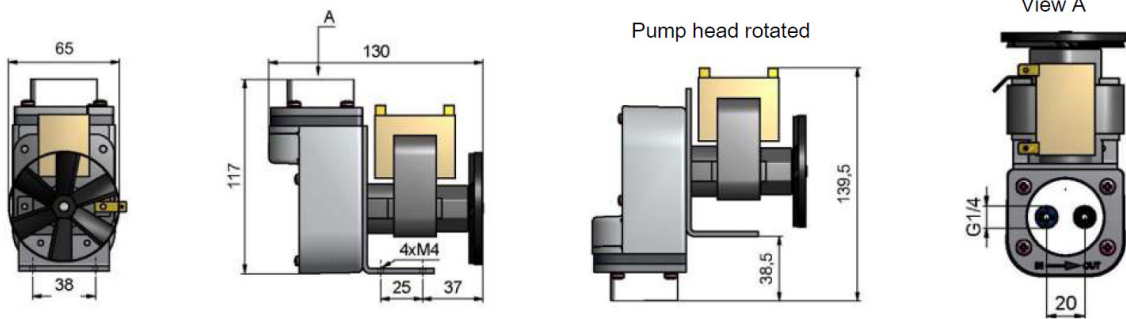
Suppliers of Gas Analysis Equipment

**P1.3 Sample Gas Pump
ATEX Approved**

TECHNICAL DRAWINGS

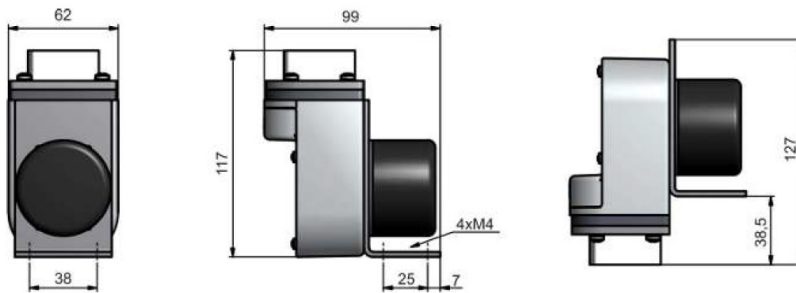
Dimensions P1.3 (115 V / 230 V)

The P1.3 sample gas pump is connected to electricity via blade receptacles..



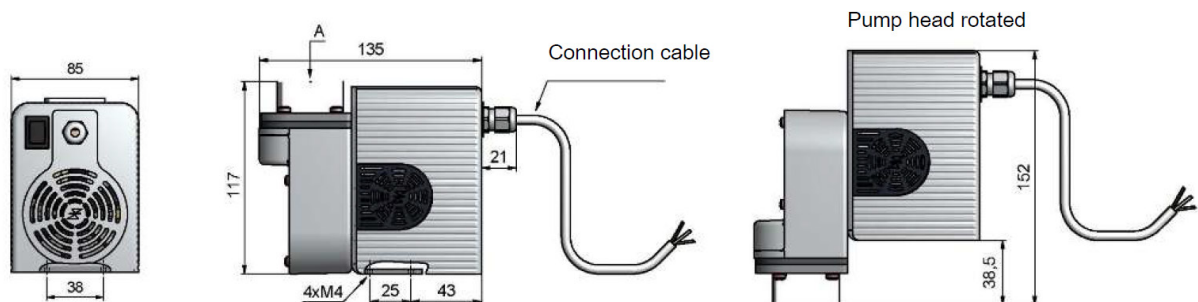
Dimensions P1.3 (24 V DC / 12 V DC)

The P1.3 (24 V DC / 12 V DC) sample gas pump may be connected by standard 3 m connecting cable.



Dimensions P1.3E Pumpe (115 V / 230 V)

The P1.3E sample gas pump may be connected by standard 3 m connecting cable.



CONTACT US: DRM Technic, 15C Raleigh Hall Industrial Estate, Stafford, Staffordshire, ST21 6JL