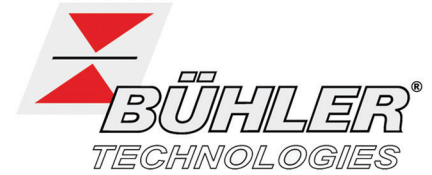
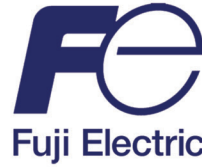




OFFICIAL UK DISTRIBUTORS FOR:



# DRM Technic

Suppliers of Gas Analysis Equipment

**Smartline Portable  
Sample Gas Probe**

## SMARTLINE PORTABLE SAMPLE GAS PROBES

Smartline Portable Sample Gas Probes are lightweight, self-regulating or temperature controlled heated sample gas lines with built-in particle filters.



### FEATURES

**Portable Probe with Heated Line | Built-In Heated Filter Element | Designed for Sample Measurements  
Self-Regulating or Temperature-Controlled | Tool-less Filter Element Change**

### SPECIFICATIONS

Product No.	Smartline
Warm Up Time at 25 °C	Approx. 60 minutes
Ambient Temperature	- 20 ... + 40 °C
Max. Operating Temperature	Varied by Heating Tube Type
Heater	Temperature Controlled: Controlled with PT100, 100 W/m, max. 180 °C Self-Regulating: 60 W/m, 120 °C
Dust Load	Max. 2 g/m <sup>3</sup>
Temperature Inside Stack	Max. 600 °C
Pressure	Max. 6 bar
Protection Class	IP 54
Voltage (optional supply via portable conditioning PCS.smart)	230 V AC - 60 W/m or 100 W/m +/- 10% 115 V AC - 60 W/m or 100 W/m +/- 10%
Length	1 m
Heating Tube Diameter	Approx. 32 mm
Heating Tube Length	3 or 5 m
Weight	Approx. 2.3 kg (3m length)   Approx. 3.7 kg (5m length)
Materials	Silicone, PTFE, Stainless Steel, Polyamide
Materials in Contact with Mediums	Stainless Steel 1.4571, 1.4404, 1.4305, PTFE
Bend Radius	Min. 140 mm
PTFE Core	DN 4/6
End Termination	Stainless Steel, Ø 6 mm

CONTACT US: DRM Technic, 15C Raleigh Hall Industrial Estate, Stafford, Staffordshire, ST21 6JL



OFFICIAL UK DISTRIBUTORS FOR:

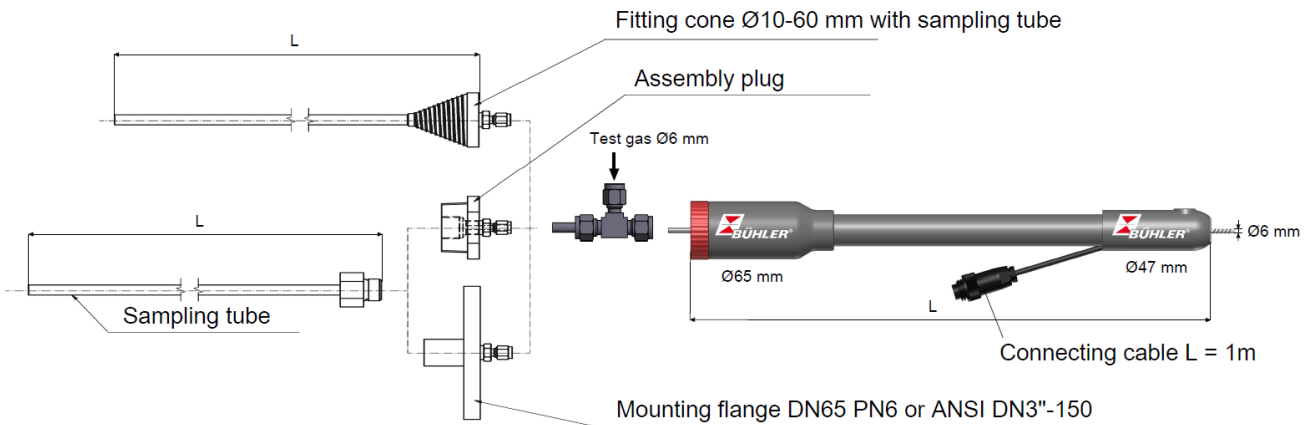


# DRM Technic

Suppliers of Gas Analysis Equipment

**Smartline Portable  
Sample Gas Probe**

## TECHNICAL DRAWINGS



## OPTIONS AND ACCESSORIES

46770020	Sintered stainless steel filter element inc. viton seals
46770030	Ceramic filter element inc. viton seals
4622200x0500	Sampling tube; length 500m; available in Stainless Steel, Hastelloy and Inconel
467700030500	Stainless steel tapered assembly plug Ø20-60 with sampling tube (500m)
467700060500	Hastelloy and stainless steel tapered assembly plug Ø20-60 with sampling tube (500m)
4770004	Stainless steel R2 assembly plug
46770001	Stainless steel mounting flange DN65 PN6
46770002	Stainless Steel mounting flange ANSI DN3"-150
46770005	EPDM/galvanised steel mounting bracket with 2m chain
46770070	Transport Case
46770060	T-piece 6mm stainless steel material for test gas
46770050	Insulation T-piece
467700202	Seal kit: viton material for FE sintered metal
467700302	Seal kit: viton material for FE ceramic
9146100267	Flange socket 6-pin + PE
467707	Screw cap O-ring

CONTACT US: DRM Technic, 15C Raleigh Hall Industrial Estate, Stafford, Staffordshire, ST21 6JL