



OFFICIAL UK DISTRIBUTORS FOR:



# DRM Technic

Suppliers of Gas Analysis Equipment

**GAS 222.31 ATEX  
Sample Gas Probe**

## GAS 222.31 ATEX SAMPLE GAS PROBE

In gas analysis, the sample point is a critical interface between the process and the analysis system. The GAS 222 series of probes have a robust modular design, come assembled-to-order, are easy to install and have low operational costs.

### FEATURES

**Heated Probe w/ Shut-Off Valve, Internal Filter & Weather Protection Shield**  
**Self-Regulating >90 °C | For Dust Concentrations >200 g/m<sup>3</sup>**  
**Approved for Use in Zone 1, 21 and for Gas Sampling from Zone 0, 20**



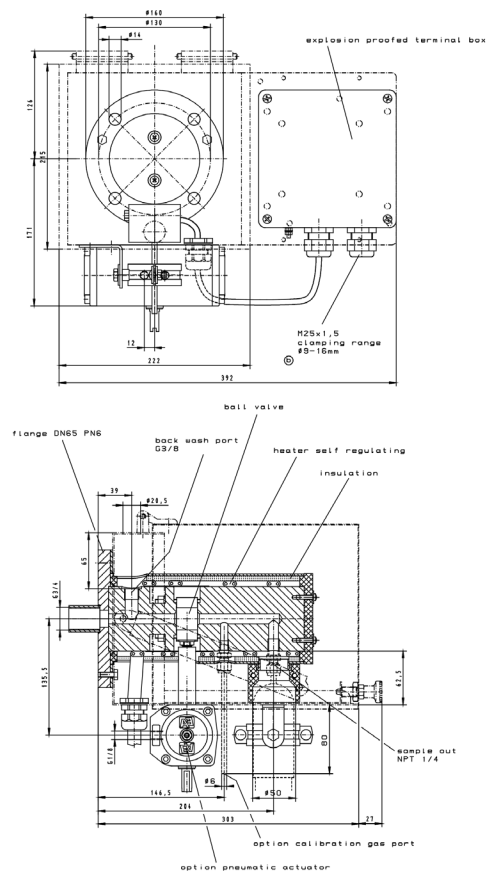
### SPECIFICATIONS

Product No.	GAS 222.31 ATEX
Material	1.4571; ball valve: 1.4408
Seals	PTFE, Graphite, 1.4404 SS
Max. Working Pressure	6 bar
Max. Flow Rate	1000 l/h
Max. Inlet Temperature Process Media	135 °C
Voltage	230 V, 50/60 Hz; or 115 V, 50/60Hz
Temperature	Self-regulating approx. 90 °C
External circuit breaker	Type C: 2 A for 230 V, 50/60 Hz 3 A for 115 V, 50/60 Hz
Ambient Temperature	- 20 to + 50 °C
Filter Type	In-situ
Ex-marking of the basic unit	1 GD / 2 GD T4 T130°C

### OPTIONS AND ACCESSORIES

Please see the "GAS 222 ACCESSORIES" datasheet for our full range of accessories

### TECHNICAL DRAWINGS



CONTACT US: DRM Technic, 15C Raleigh Hall Industrial Estate, Stafford, Staffordshire, ST21 6JL