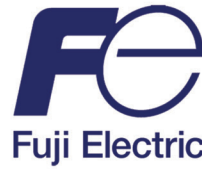




OFFICIAL UK DISTRIBUTORS FOR:



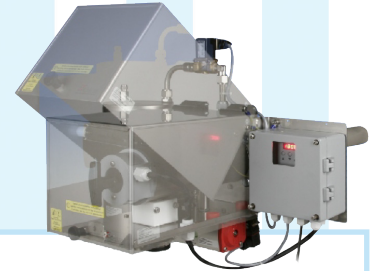
# DRM Technic

Suppliers of Gas Analysis Equipment

**GAS 222.21  
Sample Gas Probe**

## GAS 222.21 SAMPLE GAS PROBE

In gas analysis, the sample point is a critical interface between the process and the analysis system. The GAS 222 series of probes have a robust modular design, come assembled-to-order, are easy to install and have low operational costs.



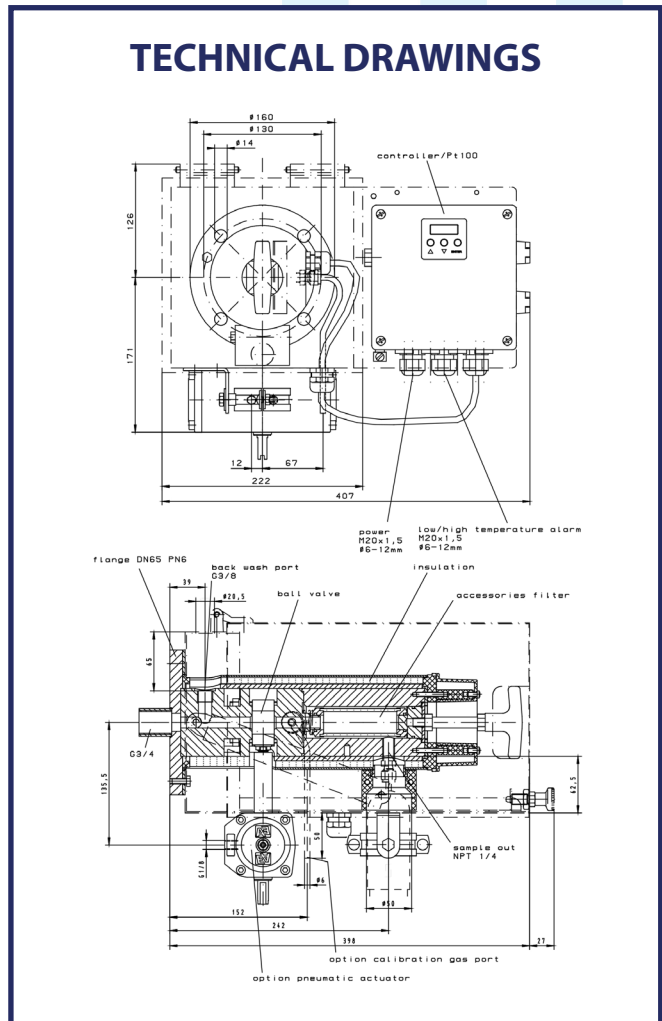
### FEATURES

**Heated Sample Gas Probe with Shut Off Valve, alongside an In-Situ and/or Downstream Filter  
Tool-less Downstream Filter Element Replacement | Effective Insulation and Protection Shield  
Electronic Heater (up to 200 °C) with Low/High Temperature Alarm and Display  
For Dust Concentrations of up to 2 g/m<sup>3</sup> | Specified for Non-Hazardous Areas**

### SPECIFICATIONS

Product No.	GAS 222.21
Material	1.4571 SS; ball valve: 1.4408 SS
Seals	PTFE, Graphite, 1.4404 SS + filter elements
Max. Operating Temp.	200 °C
Max. Working Pressure	6 bar
Voltage	230 V, 2.0 A, 50/60 Hz; or 115 V, 3.8 A, 50/60Hz
Temperature Range	+ 50 to +200 °C
Alarm	Adjustable; + 5 ... 30 K from set point; factory set 15 K, max. current 1 A
Protection Class	IP54
Ambient Temp.	- 20 ... + 70 °C

### TECHNICAL DRAWINGS



### OPTIONS AND ACCESSORIES

Please see the "GAS 222 ACCESSORIES" datasheet for our full range of accessories.

CONTACT US: DRM Technic, 15C Raleigh Hall Industrial Estate, Stafford, Staffordshire, ST21 6JL