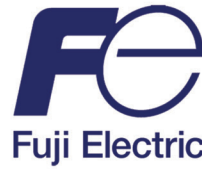




OFFICIAL UK DISTRIBUTORS FOR:



DRM Technic

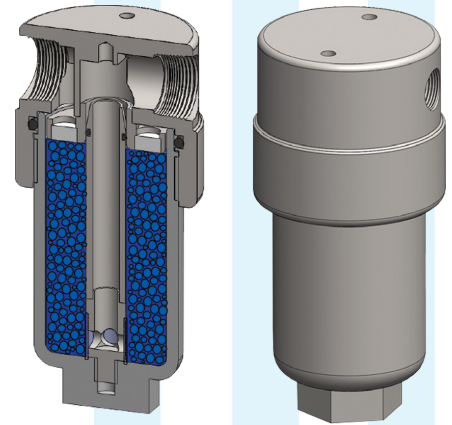
Suppliers of Gas Analysis Equipment

**xSSA/xNNA SS & Nylon
Adsorber Filter Housings**

xSSA/xNNA ADSORBER FILTER HOUSINGS (STAINLESS STEEL & NYLON VERSIONS)

xSSA/xNNA adsorber filter housings are designed for the absorption of various chemical vapours in a gaseous stream.

The xSSA housings are made from 316L Stainless Steel while the xNNA housings are made from Viton (herein referred to as Polyamide).



FEATURES

**Materials: 316L SS & Polyamide | Maximum Pressure: > 100 Bar
Maximum Temperature: 50 °C | Adsorbers: See Table Overleaf**

SPECIFICATIONS

	FH2-SSA	FH3-SSA	FH2-NNA	FH3-NNA
General				
Port Size	1/4" NPT (F)	1/4" NPT (F)	1/4" NPT (F)	1/4" NPT (F)
Drain	None	None	None	None
Max. Pressure	100 Bar	100 Bar	10 Bar	10 Bar
Max. Temperature	50 °C	50 °C	50 °C	50 °C
Materials of Construction ¹				
Head and Internals	316L SS	316L SS	Polyamide	Polyamide
Bowl	316L SS	316L SS	Polyamide	Polyamide
Seals	Viton	Viton	Viton	Viton
Filter Pads	PE	PE	PE	PE
Absorber Grade	See Table Overleaf	See Table Overleaf	See Table Overleaf	See Table Overleaf
Principal Dimensions in mm				
Diameter	60 mm	60 mm	65 mm	65 mm
Principal Dimensions	128.5 mm	241.5 mm	147 mm	246 mm
Diameter	110 cc	220 cc	125 cc	250 cc
Height	1.45 kg	1.95 kg	0.2 kg	0.25 kg

ACCESSORIES

Mounting Bracket	LMB	LMB	LMB	LMB
Fittings Kit	LFK-S	LFK-S	LFK	LFK

CONTACT US: DRM Technic, 15C Raleigh Hall Industrial Estate, Stafford, Staffordshire, ST21 6JL



OFFICIAL UK DISTRIBUTORS FOR:

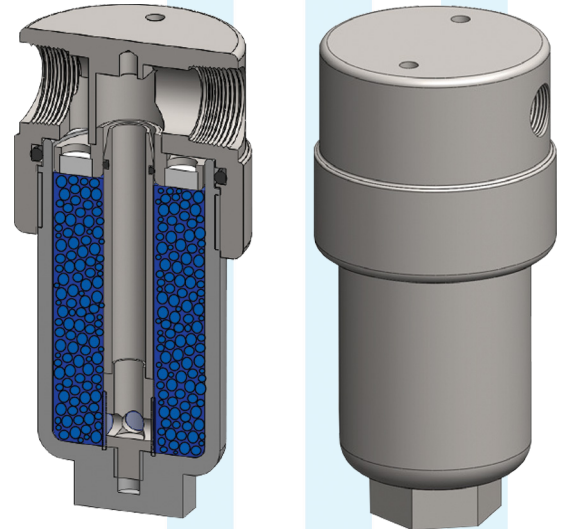


DRM Technic

Suppliers of Gas Analysis Equipment

**xSSA/xNNA SS & Nylon
Adsorber Filter Housings**

xSSA/xNNA ADSORBER FILTER HOUSING (STAINLESS STEEL AND NYLON VERSIONS)



PARTS LIST ²

Stainless Steel Housing	FHx-SSA
Polyamide Housing	FHx-NNA
Adsorber Grade	See Table Below
Mounting Bracket	LMB
Fittings Kit	LFKxx

ADSORBER GRADES

Grade	Adsorber	Principal Uses
1	Activated Carbon Granules	Removal of hydrocarbons and other organic vapours
2	Activated Carbon Cloth	Removal of hydrocarbons and other organic vapours
3	Molecular Sieve 4A	Removal of CO ₂ , NH ₃ , H ₂ S, and SO _x
4	Molecular Sieve 13X	Removal of CO ₂ , NH ₃ , H ₂ S, SO _x , aromatics and amines
5	Silica Gel (Blue)	Removal of water vapour
5a	Silica Gel (Orange)	Removal of water vapour
6	Mixed Bases (Soda Lime)	Removal of acidic gases, CO ₂ , SO _x , NO _x and HCl
7	Potassium Permanganate	Removal of SO _x and other acidic gases
8	Hopcalite	Removal of CO by catalytic conversions to CO ₂

FOOTNOTES

¹ Material Abbreviations: 316L SS = 316L Stainless Steel | PE = Polyethylene

² Replace the "x" with the numbers/letter required (refer to the Specification section for more information)

For more information, please contact our sales department (contact details below)

CONTACT US: DRM Technic, 15C Raleigh Hall Industrial Estate, Stafford, Staffordshire, ST21 6JL