



OFFICIAL UK DISTRIBUTORS FOR:



DRM Technic

Suppliers of Gas Analysis Equipment

**WF-AGF-PV-30
Wash Bottle**

WF-AGF-PV-30 WASH BOTTLE

The WF-AGF-PV-30 Wash Bottle is designed to remove gaseous components from the sample gas by washing them out.

FEATURES

- Unique Quick-Release Fastener
- Tool-less Washing Medium Changes
- Variable Wall Mount
- Bubbler Option



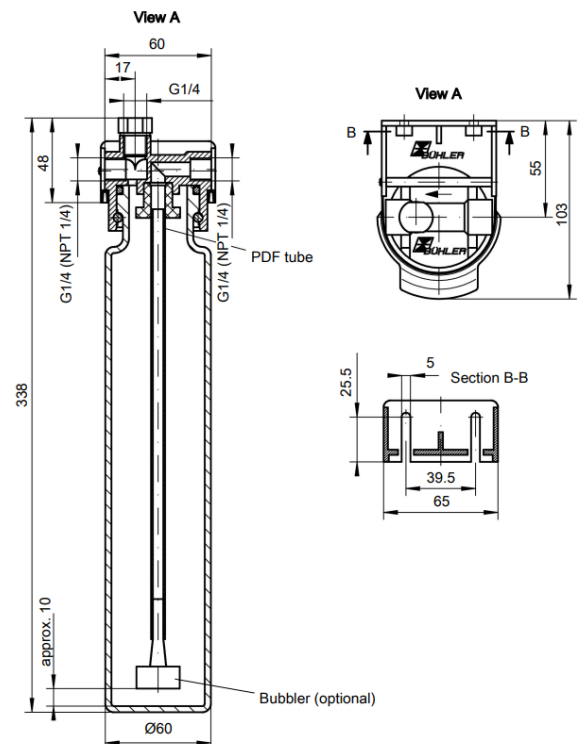
SPECIFICATIONS

Product No.	WF-AGF-PV-30
Materials	PVDF, Duran and Viton
Thread	G 1/4 or NPT 1/4
Weight	Approx. 0.5 kg
Volume	0.6 L
Max. Operating Pressure	4 bar
Max. Operating Temperature	100 °C

ORDERING OPTIONS

PN	Description
4410089	Wash Bottle with G 1/4 Connections
4410089I	Wash Bottle with NPT 1/4 Connections
4410091	Wash Bottle with G 1/4 Connections and Bubbler
4410091I	Wash Bottle with NPT 1/4 Connections and Bubbler

TECHNICAL DRAWINGS



CONTACT US: DRM Technic, 15C Raleigh Hall Industrial Estate, Stafford, Staffordshire, ST21 6JL