



OFFICIAL UK DISTRIBUTORS FOR:



DRM Technic

Suppliers of Gas Analysis Equipment

**RAF-PV-30 Ambient
Air Filter**

RAF-PV-30 AMBIENT AIR FILTER

The RAF-PV-30 Ambient Air Filter uses a fine upstream filter element to eliminate fugitive particulate matter in an ambient air sample gas stream.



FEATURES

Unique Bühler QC Bracket | Easy Change of Filter Media without Tools

SPECIFICATIONS

Filter Elements

| Type | Element | Material | Pores | Surface Area | Range of Use |
|------|---------|---------------|-------|--------------------|--------------|
| S2 | Husk | Glass Fibre | 2 µm | 80 cm ² | Group IIC |
| F25 | PTFE | PTFE sintered | 25 µm | 60 cm ² | Group IIB |

Filter Housings

Product No. | **RAF-PV-30**

Materials

Filter Head | PVDF

Filter Bowl | Glass

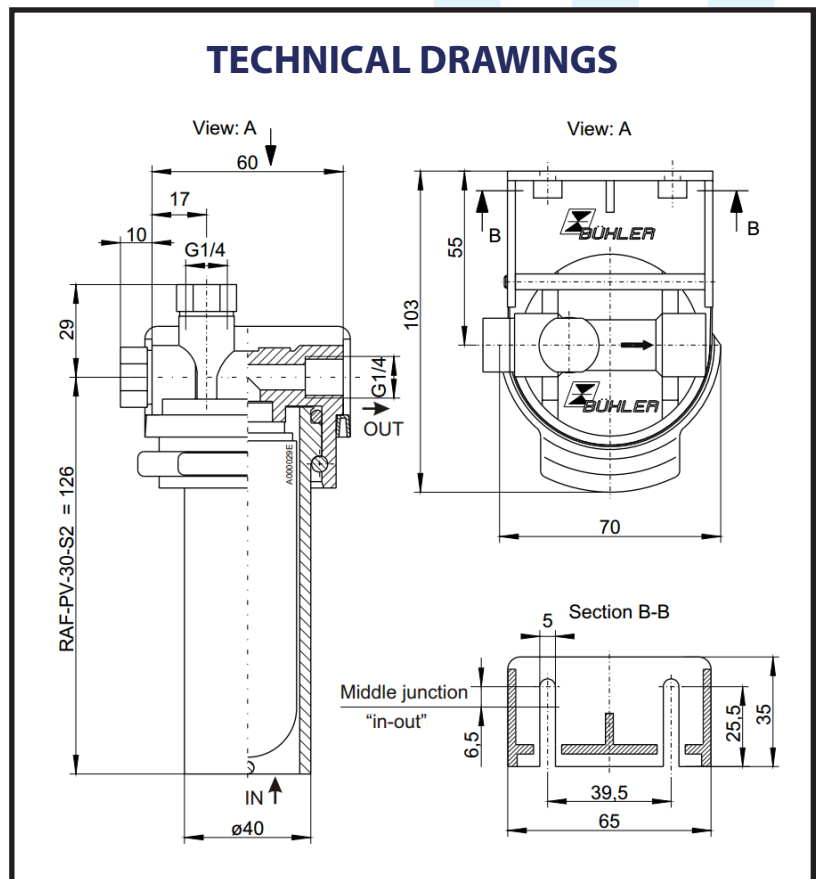
Seal | Viton

Technical Data

Temperature | Max. 100 °C

Weight | Approx. 0.28 kg

TECHNICAL DRAWINGS



OPTIONS AND ACCESSORIES

| Type | Element |
|---------------|-----------------------------|
| RAF-PV-30-S2 | RAF-PV-30 with S2 elements |
| RAF-PV-30-F25 | RAF-PV-30 with F25 elements |

**For more information, please contact
our sales department**

CONTACT US: DRM Technic, 15C Raleigh Hall Industrial Estate, Stafford, Staffordshire, ST21 6JL