



OFFICIAL UK DISTRIBUTORS FOR:



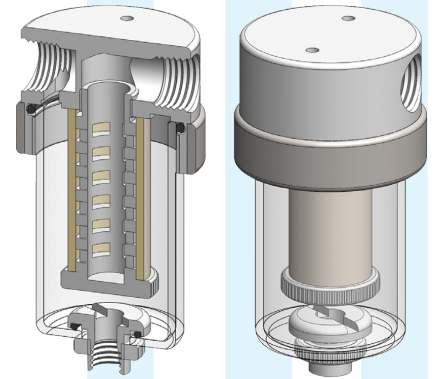
# DRM Technic

Suppliers of Gas Analysis Equipment

**FHx-TG PTFE / Glass (Duran)  
Filter Housings**

## FHx-TG PTFE / GLASS (DURAN) FILTER HOUSINGS

FHx-TG series filter housings are made of PTFE with a glass bowl which allows for the monitoring of the element while in use. Due to the nature of PTFE, they are fitted with a 316L Stainless Steel collar in the head.



### FEATURES

**Materials: PTFE & Pyrex Glass | Ports: 1/4" NPT (F) | Pressure: 7 Bar**

### SPECIFICATIONS

| Product No.                          | FH1-TG       | FH2-TG       |
|--------------------------------------|--------------|--------------|
| <b>General</b>                       |              |              |
| Port Size                            | 1/4" NPT (F) | 1/4" NPT (F) |
| Drain                                | 1/4" NPT (F) | 1/4" NPT (F) |
| Max. Pressure                        | 7 Bar        | 7 Bar        |
| Max. Temperature                     | 150 °C       | 150 °C       |
| <b>Materials of Construction</b>     |              |              |
| Head and Internals                   | PTFE         | PTFE         |
| Bowl                                 | Pyrex Glass  | Pyrex Glass  |
| Seals                                | Viton        | Viton        |
| <b>Suitable Elements</b>             |              |              |
| Coalescing Filter Element            | FH1-CFE      | FH2-CFE      |
| Particulate Filter Element           | FH1-PFE      | FH2-PFE      |
| Adsorber Cartridge Code <sup>1</sup> | FH1-ATEX     | FH2-ATEX     |
| <b>Principal Dimensions</b>          |              |              |
| Diameter                             | 50 mm        | 68 mm        |
| Height                               | 120 mm       | 132 mm       |
| Volume                               | 63 cc        | 115 cc       |
| Weight                               | 0.12 kg      | 0.53 kg      |
| <b>ACCESSORIES</b>                   |              |              |
| Mounting Bracket                     | SMB          | LMB          |
| Fittings Kit                         | LFK          | LFK          |

CONTACT US: DRM Technic, 15C Raleigh Hall Industrial Estate, Stafford, Staffordshire, ST21 6JL



OFFICIAL UK DISTRIBUTORS FOR:



# DRM Technic

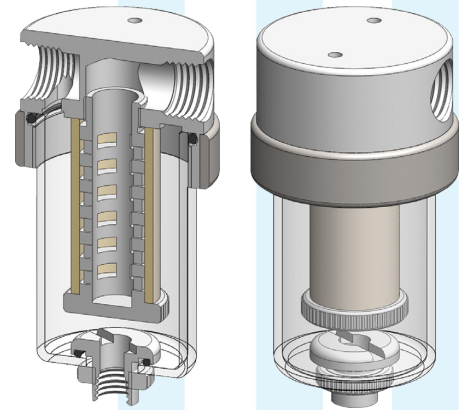
Suppliers of Gas Analysis Equipment

**FHx-TG PTFE / Glass (Duran)  
Filter Housings**

## FHx-TG PTFE/GLASS (DURAN) FILTER HOUSINGS

### PARTS LIST <sup>1</sup>

|                  |          |
|------------------|----------|
| Housing          | FHx-TG   |
| Filter Element   | FHx-xFE  |
| Adsorber Element | FHx-ATEx |
| Mounting Bracket | xMB      |
| Fittings Kit     | LFK      |



### FILTER GRADES

The efficiency depends on the flow rate and pressure but for analytical applications with typically low flows, you can consider:

| Grade 5    | Grade 6    | Grade 7     | Grade 8      |
|------------|------------|-------------|--------------|
| 0.1 Micron | 1.0 Micron | 10.0 Micron | +50.0 Micron |
| 0.2 Micron | 2.0 Micron | 20.0 Micron |              |
|            | 5.0 Micron |             |              |

### ADSORBER GRADES

| Grade | Adsorber                  | Principal Uses  |
|-------|---------------------------|---|
| 1     | Activated Carbon Granules | Removal of hydrocarbons and other organic vapours   |
| 2     | Activated Carbon Cloth    | Removal of hydrocarbons and other organic vapours   |
| 3     | Molecular Sieve 4A        | Removal of CO <sub>2</sub> , NH <sub>3</sub> , H <sub>2</sub> S, and SO <sub>x</sub>                    |
| 4     | Molecular Sieve 13X       | Removal of CO <sub>2</sub> , NH <sub>3</sub> , H <sub>2</sub> S, SO <sub>x</sub> , aromatics and amines |
| 5     | Silica Gel (Blue)         | Removal of water vapour   |
| 5a    | Silica Gel (Orange)       | Removal of water vapour   |
| 6     | Mixed Bases (Soda Lime)   | Removal of acidic gases, CO <sub>2</sub> , SO <sub>x</sub> , NO <sub>x</sub> and HCl                    |
| 7     | Potassium Permanganate    | Removal of SO <sub>x</sub> and other acidic gases   |
| 8     | Hopcalite                 | Removal of CO by catalytic conversions to CO <sub>2</sub>   |

**FOOTNOTES:** <sup>1</sup> Replace "x" with the grade of adsorber required; ie. FH1-ATE3. For more details on the grades available, see the adsorber grade box above.

CONTACT US: DRM Technic, 15C Raleigh Hall Industrial Estate, Stafford, Staffordshire, ST21 6JL