



OFFICIAL UK DISTRIBUTORS FOR:



DRM Technic

Suppliers of Gas Analysis Equipment

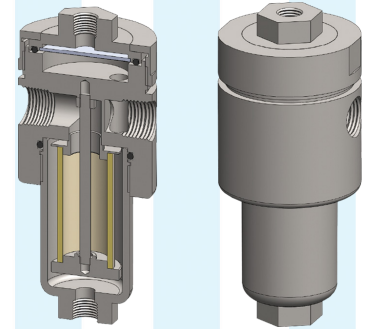
FH1-xx-MF Membrane and Filter Housing

FH1-xx-MF MEMBRANE AND FILTER HOUSING

FH1-xx-MF combination housings have a coalescing filter element and a PTFE membrane in a single unit.

FEATURES

Materials: 316L SS, PTFE | **Ports:** 1/4" NPT (F)
Pressure: < 150 Bar | **Temperature:** < 150 °C



SPECIFICATIONS

Product No.	FH1-TT-MF	FH1-TG-MF	FH1-SS-MF
General			
Port Size	1/4" NPT (F)	1/4" NPT (F)	1/4" NPT (F)
Drain	1/4" NPT (F)	1/4" NPT (F)	1/4" NPT (F)
Max. Pressure	7 bar	7 bar	150 bar
Max. Temperature	100 °C	100 °C	150 °C
Materials of Construction			
Head and Internals	PTFE	PTFE	316L SS
Bowl	PTFE	Pyrex	316L SS
Seals	Viton	Viton	Viton
Suitable Elements			
Coalescing Filter Element	FH1-CFE	FH1-CFE	FH1-CFE
Particulate Filter Element	FH1-PFE	FH1-PFE	FH1-PFE
Adsorber Cartridge Code	MEM1-FE	MEM1-FE	MEM1-FE
Principal Dimensions			
Diameter	50 mm	50 mm	50 mm
Height	135 mm	145 mm	135 mm
Volume	45 cc	45 cc	45 cc
Weight	0.55 kg	0.6 kg	1.0 kg
Accessories			
Bowl Guard	SMB-MF	SMB-MF	SMB-MF
Support Disc	MEM1-SD	MEM1-SD	MEM1-SD
Fittings Kit	LFK-MF	LFK-MF	LFK-S-MK

FILTER GRADES

The efficiency depends on the flow rate and pressure, but for analytical applications with low flows, you can consider:

Grade	Available Microns
5	0.1; 0.2
6	1.0; 2.0; 5.0
7	10.0; 20.0
8	+50.0

PARTS LIST

Housing	FH1-xx-MF
Filter Elements	FH1-xFE
Membrane Element	MEM1-FE
Mounting Bracket	SMB-MF
Support Core	MEM1-SD
Fittings Kit	LFK-x-MF

CONTACT US: DRM Technic, 15C Raleigh Hall Industrial Estate, Stafford, Staffordshire, ST21 6JL