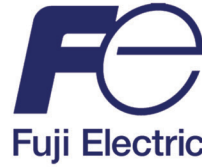




OFFICIAL UK DISTRIBUTORS FOR:



DRM Technic

Suppliers of Gas Analysis Equipment

**BF2-S Self Cleaning
Sample Gas Filter Housing**

BF2-S SELF CLEANING SAMPLE GAS FILTER

A filter housing which uses the cross flow (inertial) principal to self-clean while in use. Filters of this type provide the lowest maintenance cost and longest life of any filter technology.



FEATURES

For Gases and Liquids | Long Life | Low Maintenance | Integrated Tube Fittings

SPECIFICATIONS

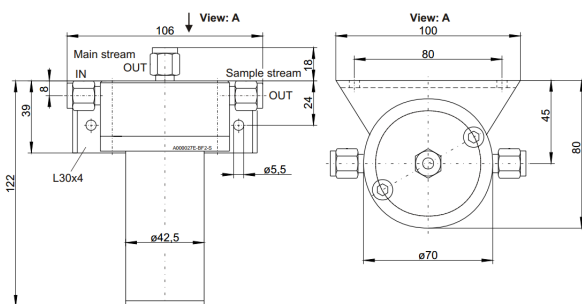
Product No.	BF2-S
Materials	
Housing	SS 1.4571
Core	PTFE
Filter Element	SS 1.4404
Seal	Viton
Technical Details	
Connections	Swagelok tube, Ø 6 mm
Pressure	Max. 25 bar
Temperature	Max. 120 °C
Filter Surface Area	125 cm ²
Pore Size	0.5 or 5 µm
Dead Volume	14 ml (Bypass Outlet) 19 ml (Sample Outlet)
Weight	Approx. 1.5 kg

OPTIONS AND ACCESSORIES

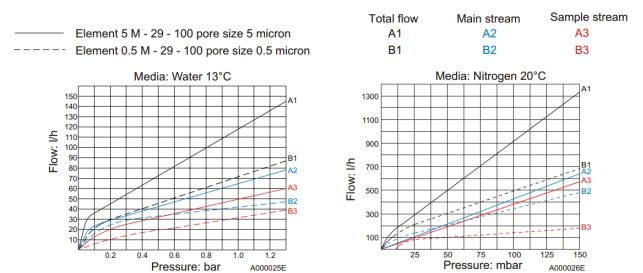
Product No.	Description
4109999	BF2-S w/ 0.5 µm element
4108999	BF2-S w/ 5 µm element
4109001	Spare 0.5 µm element
4108001	Spare 5 µm element

For more information, please contact our sales department

TECHNICAL DRAWINGS



FLOW DIAGRAMS



CONTACT US: DRM Technic, 15C Raleigh Hall Industrial Estate, Stafford, Staffordshire, ST21 6JL