



OFFICIAL UK DISTRIBUTORS FOR:



# DRM Technic

Suppliers of Gas Analysis Equipment

**AGF-PV-30**  
Sample Gas Filter Housing

## AGF-PV-30 SAMPLE GAS FILTER HOUSING

The AHG-PV-30 provides fine filtration and easy filter media replacement. The QC bracket rotates 180°, making the mounting of the filter bracket independent from the chosen flow direction.



### FEATURES

**Bühler Unique QC Bracket | Easy Tool-less Filter Element Replacement**  
**Condensate Drain Option | Low Dead Volume for Fast Response**  
**Filter-Head with Additional Port for Bypass or Moisture Detector**

### SPECIFICATIONS

Housing (delivery includes one filter element)

AGF-PV	30-S2	30-S2-A	30-F2	30-F2-A	30-F2-L	30-F25	30-F25-A	30-F25-L	30-F25-L-A	30-AKF
Filter Head	PVDF									
Filter Bowl	Glass									
Seal	Viton									
Max. Temp.	100 °C									
Max. Pressure	4 bar									
Port Size	2 µm	2 µm	2 µm	2 µm	2 µm	25 µm	25 µm	25 µm	25 µm	1 µm
Element	S2	S2	F2	F2	F2-L	F25	F25	F25-L	F25-L	AFK
Dead Volume	57 ml	69 ml	57 ml	57 ml	108 ml	57 ml	63 ml	108 ml	117 ml	45 ml
Weight (approx.)	0.28 kg	0.29 kg	0.24 kg	0.29 kg	0.29 kg	0.23 kg	0.24 kg	0.29 kg	0.30 kg	0.23 kg

### Spare Filter Elements

Type	Elements	Material	Pore Size	Surface Area	Package	Range of Use
S2	Husk	Glass Fibre	2 µm	80 cm <sup>2</sup>	5 / 25 pcs	Group IIC
F2	PTFE Sintered	PTFE	2 µm	60 cm <sup>2</sup>	5 pcs	Group IIB
F2-L	PTFE Sintered	PTFE	2 µm	125 cm <sup>2</sup>	2 pcs	Group IIB
F25	PTFE Sintered	PTFE	25 µm	60 cm <sup>2</sup>	5 pcs	Group IIB
F25-L	PTFE Sintered	PTFE	25 µm	125 cm <sup>2</sup>	2 pcs	Group IIB
AKF	Threaded	Activated Carbon	1 µm	45 cm <sup>2</sup>	1 pc	Group IIC

**For more information, please contact our sales department**

CONTACT US: DRM Technic, 15C Raleigh Hall Industrial Estate, Stafford, Staffordshire, ST21 6JL

DRM/AGPV30/  
020916/002

Tel: +44 (0) 1782 638491 | Email: [sales@drmtechnic.com](mailto:sales@drmtechnic.com) | Web: [www.drmtechnic.com](http://www.drmtechnic.com)

DRM/AGPV30/  
020916/002



OFFICIAL UK DISTRIBUTORS FOR:

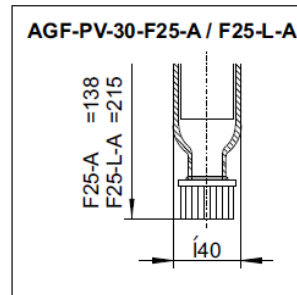
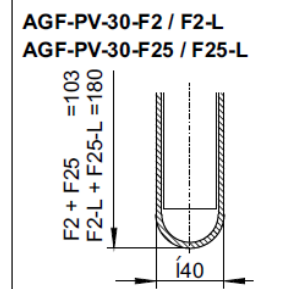
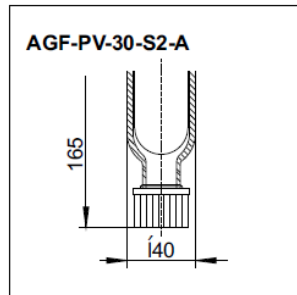
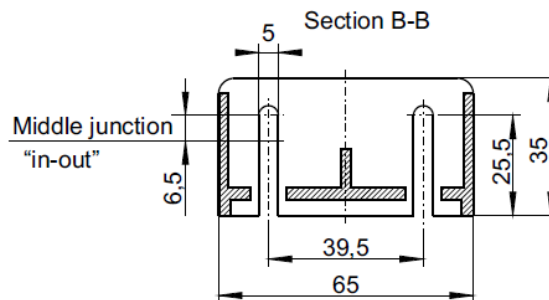
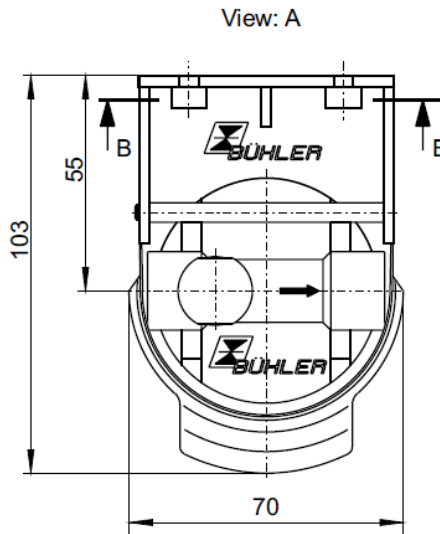
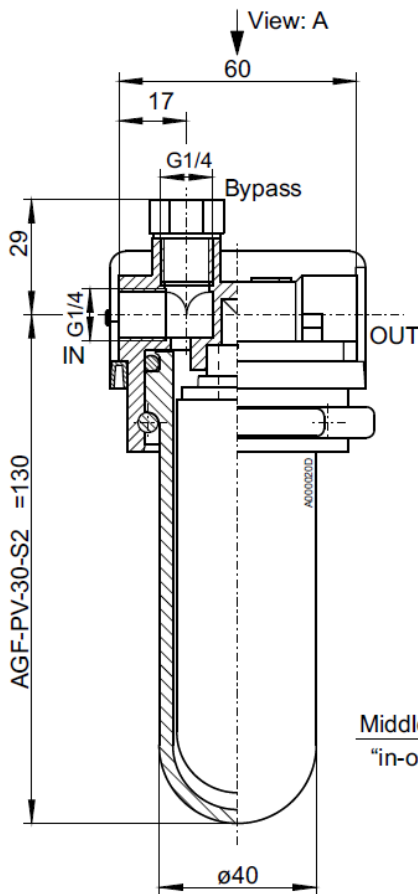


# DRM Technic

Suppliers of Gas Analysis Equipment

**AGF-PV-30**  
Sample Gas Filter Housing

## TECHNICAL DRAWINGS



## ORDERING INFORMATION

Product No.	Description	Product No.	Description	Product No.	Description
4150099	AGF-PV-30-S2	4150399	AGF-PV-30-F2-A	41030050	F2 Elements
41502999	AGF-PV-30-F2	4150499	AGF-PV-30-F25-L	41020050	F2-L Elements
4151999	AGF-PV-30-F2-A	4150599	AKF-PV-30-F25-L-A	41020130	F25 Elements
4150799	AGF-PV-30-F2-L	4153099	AGF-PV-30-AKF	41010120	F25-L Elements
4150299	AGF-PV-30-F25	41010010	S2 Elements	41010130	AKF Element

CONTACT US: DRM Technic, 15C Raleigh Hall Industrial Estate, Stafford, Staffordshire, ST21 6JL

Tel: +44 (0) 1782 638491 | Email: [sales@drmtechnic.com](mailto:sales@drmtechnic.com) | Web: [www.drmtechnic.com](http://www.drmtechnic.com)

DRM/AGPV30/  
020916/002

DRM/AGPV30/  
020916/002