



OFFICIAL UK DISTRIBUTORS FOR:



DRM Technic

Suppliers of Gas Analysis Equipment

**AGF-FE-4
Panel Filter**

AGF-FE-4 PANEL FILTER

Sample Gas Filter designed for panel mounting. The main body is attached onto the front panel. The filter bowl threads onto the main body and seals with an O-Ring. Changing filter media is done by simply removing the bowl. The filter media is visible through the bowl. Gas inlet and outlets are at the back of the unit.



FEATURES

Easy installation | Easy Filter Replacement | Large Area | Acid-Resistant | Filter Always Viewable

SPECIFICATIONS

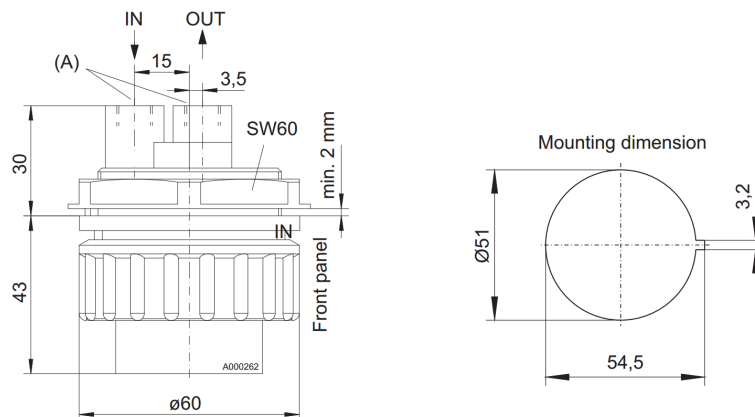
Product No.	AGF-FE-4
Surface Area	42 cm ²
Pore Size	2 µm
Dead Volume	28.5 ml
Material (Filter)	PTFE, PVDF, Glass
Material (Seal)	Viton or PTFE armoured Viton
Material (Element)	Sintered PTFE
Connections	G 1/8 or NPT 1/8
Pressure (max.)	2 bar
Media Temp. (max.)	100 °C

OPTIONS AND ACCESSORIES

PN	Description
41151050	Spare Filter Elements for AGF-FE-4 Filter Housings

For more information, please contact our sales department

TECHNICAL DRAWINGS



CONTACT US: DRM Technic, 15C Raleigh Hall Industrial Estate, Stafford, Staffordshire, ST21 6JL