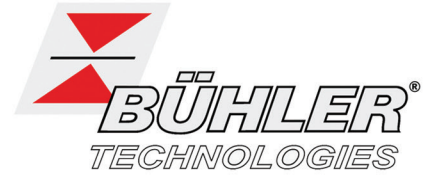




OFFICIAL UK DISTRIBUTORS FOR:



# DRM Technic

Suppliers of Gas Analysis Equipment

**AGF-FA-5  
Panel Filter**

## AGF-FA-5 PANEL FILTER

Sample Gas Filter designed for panel mounting. The main body is attached onto the front panel. The filter bowl threads onto the main body and seals with an O-Ring. All wetted parts are resistant to aggressive media. Changing filter media is done by simply removing the bowl. The filter media is visible through the bowl.



### FEATURES

**Simple Installation | Large Filter Area | Easy Filter Replacement  
Acid-resistant Materials | Extra Port for Bypass, Moisture Detector or Vent**

### SPECIFICATIONS

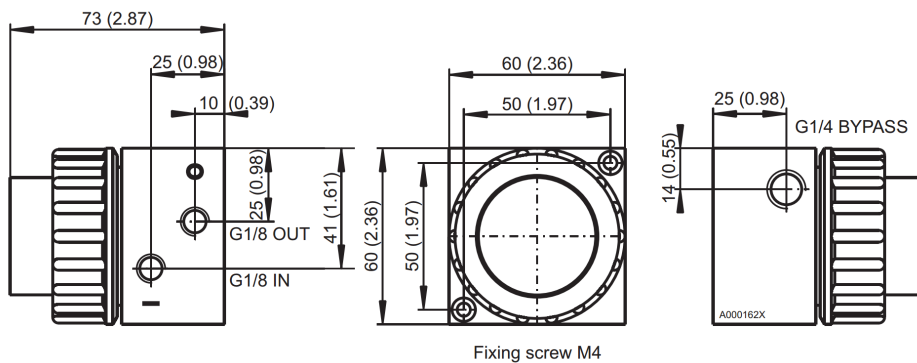
Product No.	AGF-FA-5
Surface Area	42 cm <sup>2</sup>
Pore Size	2 µm
Dead Volume	28.5 ml (without filter element)
Material (Filter)	PTFE, PVDF, Glass (contacts by gas)
Material (Seal)	Viton
Material (Element)	Sintered PTFE
Connections	G 1/8
Pressure (max.)	2 bar
Media Temp.	100 °C (max.)

### OPTIONS AND ACCESSORIES

Product No.	Description
4115300	AGF-FA-5 Panel Filter
41151050	Spare Filter Elements (8 pk)

**For more information, please contact our sales department**

### TECHNICAL DRAWINGS



CONTACT US: DRM Technic, 15C Raleigh Hall Industrial Estate, Stafford, Staffordshire, ST21 6JL