



OFFICIAL UK DISTRIBUTORS FOR:



DRM Technic

Suppliers of Gas Analysis Equipment

**ADF-PV-30-L
Absorber Housings**

ADF-PV-30-L ABSORBER HOUSING

In some analyser system designs, removal of gas components by adsorbent or absorbent techniques may be required.

For this purpose, Bühler offers a modified filter which can be filled with the appropriate sorbent material.

The gas enters at the bottom of the unit and exits at the top, maximising contact time with the absorbent material.



FEATURES

**Bühler Unique QC Bracket | Simple and Quick Change of Sorbent Materials without Tools
Wall Mounting is Possible in Any Direction**

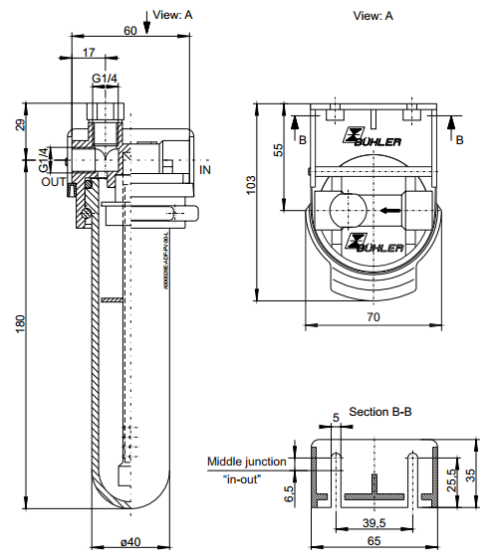
SPECIFICATIONS

Product No.	ADF-PV-30-L
Filter Head	PVDF
Filter Bowl	Glass
Seal	Viton
Temperature (max.)	100 °C (without sorbent medium)
Pressure (max.)	4 bar
Volume	120 ml
Weight	Approx. 0.3 kg

OPTIONS AND ACCESSORIES

Product No.	Description
4152099	ADF-PV-30-L Absorber Housing (without Absorption Material)

TECHNICAL DRAWINGS



For more information, please contact our sales department

CONTACT US: DRM Technic, 15C Raleigh Hall Industrial Estate, Stafford, Staffordshire, ST21 6JL