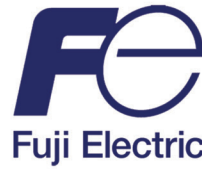




OFFICIAL UK DISTRIBUTORS FOR:



DRM Technic

Suppliers of Gas Analysis Equipment

**TC-Midi + X2
Sample Gas Cooler**

TC-MIDI + X2 SAMPLE GAS COOLER

The TC-MIDI + X2 Sample Gas Cooler is specified for situations with high dew points. It has new generation heat exchangers and a particularly low wash out effect. It is suitable for use in ATEX and IECEx Zone 2 applications.



FEATURES

- ATEX and IECEx Zone 2 Approval**
- Duran Glass or PVDF Heat Exchanger**
- Adjustable Outlet Dew Point and Alarm Thresholds**
- Low Maintenance Costs | Low Operating Noise**
- Dew Point Stability 0.1 °C**

SPECIFICATIONS

Product No.	TC-Midi + 6121 X2	TC-Midi + 6122 X2
Ready for Operation	After 10 min (max)	
Operating Temperature	40 °C	50 °C
Ambient Temp.	5 °C to 60 °C	
Gas Output Temp	5 °C (preset) 2 °C ... 20 °C (adjustable)	
Housing Protection Class	Stainless Steel IP20	
Dimensions	350 x 220 x 220 mm	
Weight	12 kg (standard) 15.5 kg (fully expansion)	
Electrical Power Input	Without Add-On: 230 V AC, 1.2 A, 200 W / 280 VA 115V AC 2.4A, 200 W / 280 VA With P1.x: 230 V AC, 1.8 A, 290 W / 420 VA 115 V AC, 3.6 A, 290 W / 420 VA	
Status Output Switching Capacity	Max. 230 V AC, 150 V DC; 2A, 50 VA, potential-free	
Electrical Connections	Plug per DIN 43650	
Gas Connections and Condensate Outlet	See "Heat Exchanger Overview" Overleaf.	
Markings	FM18ATEX0012X: II 3 G Ex ec nC IIC T4 Gc IECEx FMG 18.0005X: Ex ec nC IIC T4 Gc FM18US0021X/FM18CA0010X: CL I DIV 2 GP ABCD	
Available Options	Analogue Output Cooler CPsingle/double Perisaltic Pumps P1.x Sample Gas Pump AGF-PV-30-F2-L Filter FF-3-N Moisture Detector	

CONTACT US: DRM Technic, 15C Raleigh Hall Industrial Estate, Stafford, Staffordshire, ST21 6JL



OFFICIAL UK DISTRIBUTORS FOR:



DRM Technic

Suppliers of Gas Analysis Equipment

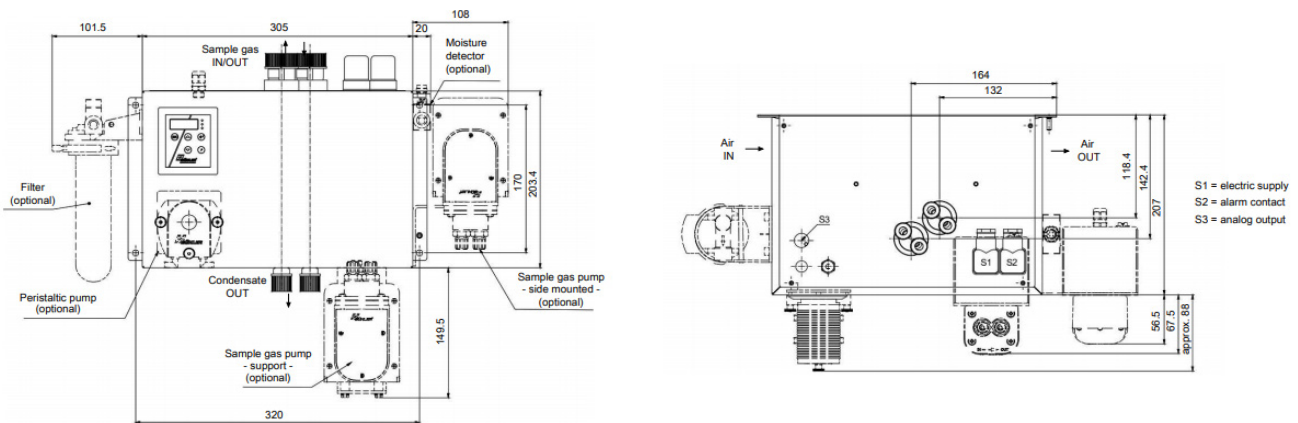
**TC-Midi + X2
Sample Gas Cooler**

HEAT EXCHANGER OVERVIEW

Heat Exchanger	2x STG-2	2x STV-2
Version / Material	Glass	PVDF
Flow v_{max}^1	320 L/h	300 L/h
Inlet Dew Point $T_{e,max}^1$	70 °C	70 °C
Gas Inlet Temperature $\vartheta_{G,max}^1$	140 °C	140 °C
Max. Cooling Capacity Q_{max}	345 kJ/h	210 kJ/h
Dead Volume V_{tot}	47 ml	41 ml
Gas Connections (metric US)	GL 14 (6 mm) ² GL 1/4 (1/4") ²	DN 4/6 1/4" - 1/6"
Gas Connections (metric US)	GL 18 (10 mm) ² GL 18 (10 mm) ²	G1/4 NPT 1/4"

¹: Max. cooling capacity of the cooler must be considered | ²: Gasket inside diameter

TECHNICAL DRAWINGS



For more information, please feel free to contact our sales department

CONTACT US: DRM Technic, 15C Raleigh Hall Industrial Estate, Stafford, Staffordshire, ST21 6JL