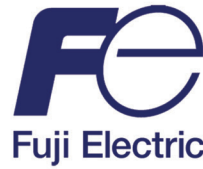




OFFICIAL UK DISTRIBUTORS FOR:



DRM Technic

Suppliers of Gas Analysis Equipment

**EGK 2A Ex
Sample Gas Cooler**

EGK 2A Ex SAMPLE GAS COOLER

The EGK 2A Ex Sample Gas Cooler is a CFC-free, compressor-type cooling system connected to a cooling block. The cooling block evenly dissipates the heat, thus supporting the highly efficient heat exchangers. Condensate is removed either into condensate vessels or by automatic condensate drains.

FEATURES

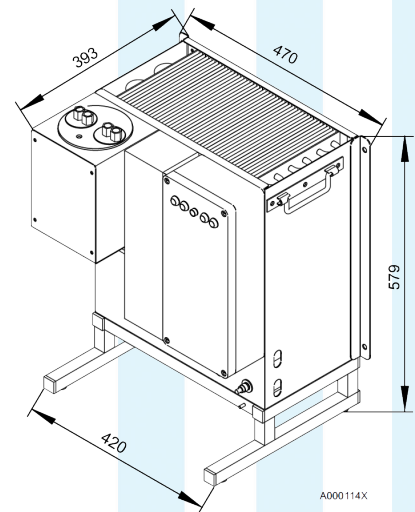
**ATEX Certificate Zone 1 (Cat. 2G) | Nominal Cooling Capacity 615 kJ/h
> 2 Heat Exchangers | > 4 Gas Paths | Self-Checking with Status Outputs
CFC-Free | Easy Installation, Operation and Testing**



SPECIFICATIONS

Product No.	EGK 2 Ex
ATEX Class	II 2 G Ex px e mb q [ia] IIC T4 Gb
Ready for Operation	After max. 20 minutes
Cooling Capacity	At 25 °C: > 615 kJ/h (170 W)
Ambient Temp.	0 °C to 45 °C
Dew Point Adjustable	2 ... 20 °C (factory setting: 5 °C)
Dew Point Stability Static	± 0.2 K (with stainless steel) ± 0.5 K (with PVDF)
Power Supply	230 V, 50 Hz or 115 V, 60 Hz
Power Consumption	250 VA (230 V); 300 VA (115v)
Fuse	Motor Protection Switch
Potential-Free Status Outputs (Fail-safe)	250 V / 3 AA C 24 V / 1 A DC
Protection Class (Electric)	IP 54
Housing Material	Stainless Steel / Polyester
Installation	Upright or Against Wall
Dimensions (H x W x D)	Approx. 700 x 500 x 500 mm
Weight inc. 2 Heat Exchangers	Approx. 37 kg

TECHNICAL DRAWING



OPTIONS AND ACCESSORIES

Product No.	Description
91320200xx	Motor Protection Switches
44100xx	Condensate Vessels
DTx / Tx	Heat Exchangers

For more information, please feel free to contact our sales department

CONTACT US: DRM Technic, 15C Raleigh Hall Industrial Estate, Stafford, Staffordshire, ST21 6JL