



OFFICIAL UK DISTRIBUTORS FOR:



# DRM Technic

Suppliers of Gas Analysis Equipment

## CV-x Series Condensate Vessels



## CV-x SERIES CONDENSATE VESSELS

The CV-x series Condensate Vessels are used to store condensate after it's been drained from a sample gas conditioning system. It can be emptied easily via a ball valve, has a removable top cover, and its condensate level is always visible.

They are available in three sizes: 3 litre (CP-3), 6.5 litre (CP-6) and 10 litre (CP-10).

### FEATURES

- Available in 3l, 6.5l and 10l Capacities
- Chemically Resistant Materials
- Removable Top Cover
- Robust Mounting Bracket
- Level Switch Available

### SPECIFICATIONS

#### Overall

Materials	PVC, PVDF, PP, Viton
Fitting	G3/8 and G1/4 for Condensate Inlet and Ventilation; G1/4 for Outlet
Max. Media Temp.	60 °C

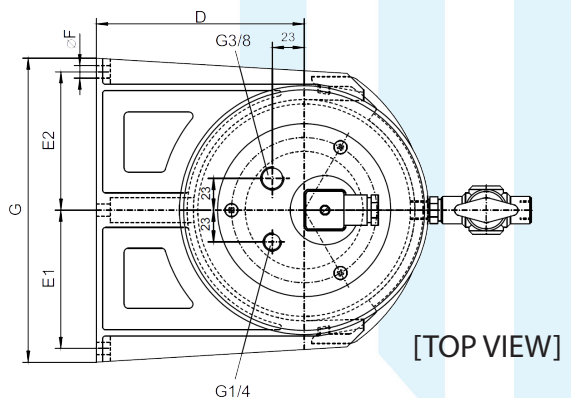
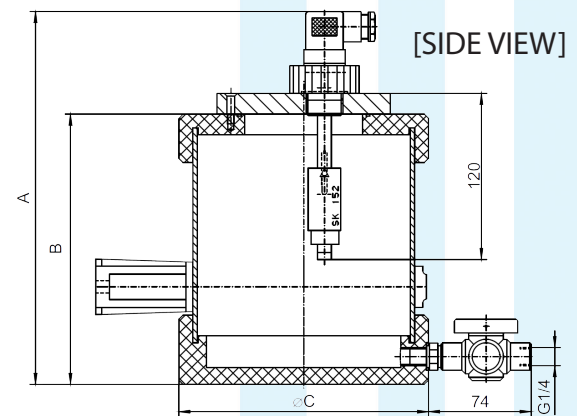
#### Level Switch

Max. Operating Voltage	230 V
Max. Switching Current	0.5 A
Max. Contact Load	10 VA

### OPTIONS AND ACCESSORIES

4410088	CV-3 Vessel with Level Switch
4410096	CV-6 Vessel with Level Switch
4410097	CV-6 Vessel without Level Switch
4410094	CV-10 Vessel with Level Switch
4410095	CV-10 Vessel without Level Switch
44100943	Level Switch

### TECHNICAL DRAWINGS



TYPE VESSEL	A (mm)	B (mm)	C (mm)	D (mm)	E1 (mm)	E2 (mm)	F (mm)	G (mm)
V = 3l	269	195	ø 180	150	100	100	3x ø 9	220
V = 6.5l	344	270	ø 225	175	120	150	2x ø 13	310
V = 10l	454	380	ø 225	175	120	150	2x ø 13	310

CONTACT US: DRM Technic, 15C Raleigh Hall Industrial Estate, Stafford, Staffordshire, ST21 6JL