



OFFICIAL UK DISTRIBUTORS FOR:



DRM Technic

Suppliers of Gas Analysis Equipment

Automatic Condensate Drains

AUTOMATIC CONDENSATE DRAINS

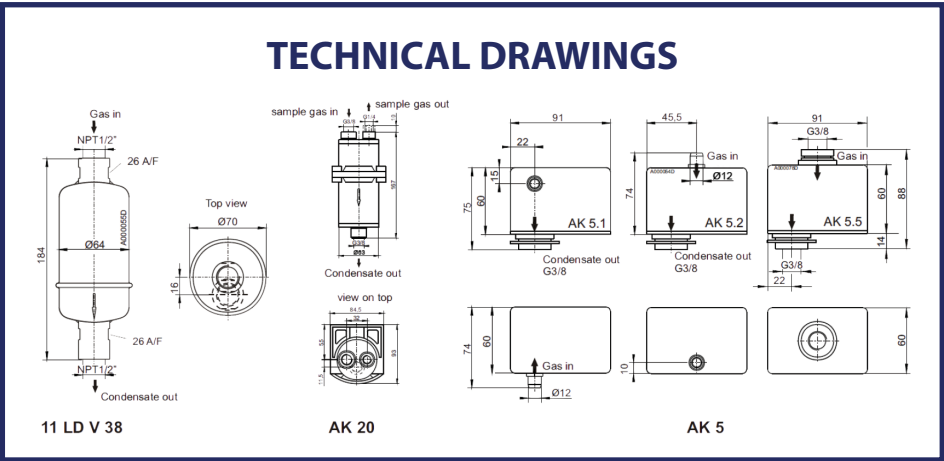
A range of condensate drains for use in pressurised sample conditioning systems. They are specifically designed to have low friction and a high lifetime. The AK 20 is the standard drain, the AK 5 the compact drain, and the 11 LD V 38 the heavy duty drain.



FEATURES

**Easy to Assemble | Long-Life | Available in a Variety of Materials
High Reliability of Operation**

SPECIFICATIONS			
Product No.	11 LD V 38	AK 20	AK 5
General			
Max. Operating Pressure	18 bar / 260 psi	2 bar / 29 psi	2 bar / 29 psi
Max. Operating Temp.	200 °C / 390 °F	200 °C / 390 °F	200 °C / 390 °F
Weight	0.8 kg	0.3 kg with Mounting Frame (gas out is closed)	0.25 kg
Material	Stainless Steel 1.4306, 1.4401 and 1.4301	PVDF	PVDF
Range of Use in Explosive Atmospheres			
Zone	1	1	1
Group	IIC	IIB	IIB



OPTIONS

Part No.	Description
4510006	AK 5.1 (horizontal inlet)
4510008	AK 5.1 (vertical inlet)
4510028	AK 5.5
4410004	AK 20
4410001	11 LD V 38

CONTACT US: DRM Technic, 15C Raleigh Hall Industrial Estate, Stafford, Staffordshire, ST21 6JL