



OFFICIAL UK DISTRIBUTORS FOR:



# DRM Technic

Suppliers of Gas Analysis Equipment

**AKxx Series  
Pre-Coolers**

## AKxx SERIES PRE-COOLERS

AKxx series Pre-Coolers are specified for applications with entrained liquid droplets or high vapor content in the sample gas stream. The AK 20 V is an upstream separator, while the 11 LD spec. is an up-stream separator with an integrated drain valve. The 165 SS and 167 T models are a combinations of centrifugal separators and coarse filters.



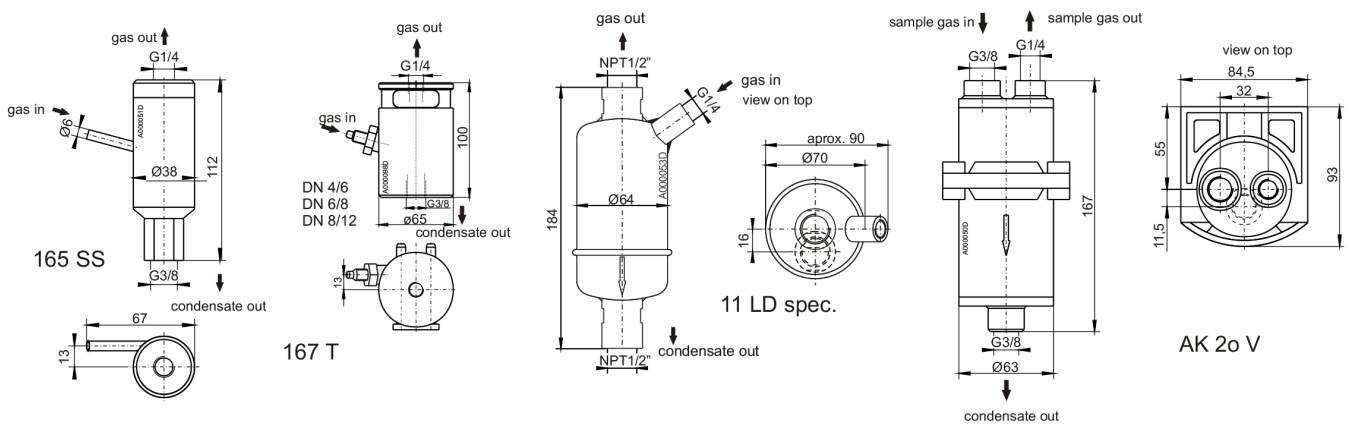
### FEATURES

**Very Long Life | Maintenance-Free | Can be Used Stand-Alone or in Combination with a Coalescing Filter**

### SPECIFICATIONS

Product No.	165 SS	167 T-V	167 T-P	11 LD spec.	AK 20 V
Max. Op. Pressure	64 bar / 930 psi	4 bar / 60 psi	4 bar / 60 psi	18 bar / 160 psi	2 bar / 29 psi
Max. Op. Temperature	180 °C / 360 °F	80 °C / 180 °F	80 °C / 180 °F	200 °C / 390 °F	100 °C / 210 °F
Max. Gas Flow Rate	200 l/h	200 l/h	200 l/h	-	-
Material	1.4571 SS	PTFE / Viton	PTFE / FFKM	Stainless Steel	PVDF
Suitable for Explosive Applications	1, IIC	-	-	1, IIC	1, 11B

### TECHNICAL DRAWINGS



**For more information, please feel free to contact our sales department (contact details below)**

CONTACT US: DRM Technic, 15C Raleigh Hall Industrial Estate, Stafford, Staffordshire, ST21 6JL

DRM/AKxx/  
010916/002

Tel: +44 (0) 1782 638491 | Email: [sales@drmtechnic.com](mailto:sales@drmtechnic.com) | Web: [www.drmtechnic.com](http://www.drmtechnic.com)

DRM/AKxx/  
010916/002