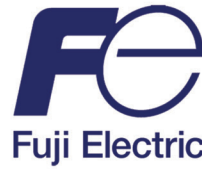




OFFICIAL UK DISTRIBUTORS FOR:



DRM Technic

Suppliers of Gas Analysis Equipment

OXYMAT 6 Continuous Oxygen Analyser

OXYMAT 6 CONTINUOUS OXYGEN ANALYSER

The OXYMAT 6 gas analyser works via the paramagnetic alternating pressure method and is specified for the measurement of oxygen in sample gases.



FEATURES

- Paramagnetic Alternating Pressure Principle
- Detector Element has No Contact with the Sample Gas
- RS485, RS232, PROFIBUS

SPECIFICATIONS - 19" RACK UNIT

PN	OXYMAT 6 [19" Rack Unit]
Measuring Ranges	4, Internally and Externally Switchable. Autoranging is Also Possible.
Span Range	0.5 / 2 / 5 vol.% O2 ... 100 vol.% O2
Sample Gas Pressure	With Pipes: 500 ... 3000 hPa abs. With Hoses: 500 ... 1300 hPa abs.
Sample Gas Flow	18 ... 60 l/h (0.3 .. 1 l/min)
Sample Gas Temp.	0 ... 50 °C
Sample Gas Humidity	< 90 % RH
Reference Gas Pressure	High Pressure Version: 2,000 ... 4000 hPa Above Sample Pressure; Max. 5000 hPa Low Pressure Version: Min. 100 hPa Above Sample Gas Pressure
Ambient Temp.	- 30 ... + 70 °C (storage and transportation) 5 ... 45 °C (operation)
Ambient Humidity	< 90 % RH
Warm-Up Period	At Room Temperature: < 30 min (technical specs. will be met after 2 hours)
Delayed Display (T ₉₀)	Min. 1.5 ... 3.5 secs, Depending on Version
Damping	0 ... 100 sec, Parameterisable
Dead Time	Approximately 0.5 ... 2.5 secs, Depending on Version
Pressure Sensor Correction Range	Internal: 500 ... 2000 hPa abs. External: 500 ... 3000 hPa abs.
Power Supply	100 ... 200 V AC, 48 ... 63 Hz 200 ... 240 V AC, 48 ... 63 Hz
Power Consumption	Approx. 35 VA

CONTACT US: DRM Technic, 15C Raleigh Hall Industrial Estate, Stafford, Staffordshire, ST21 6JL



OFFICIAL UK DISTRIBUTORS FOR:



DRM Technic

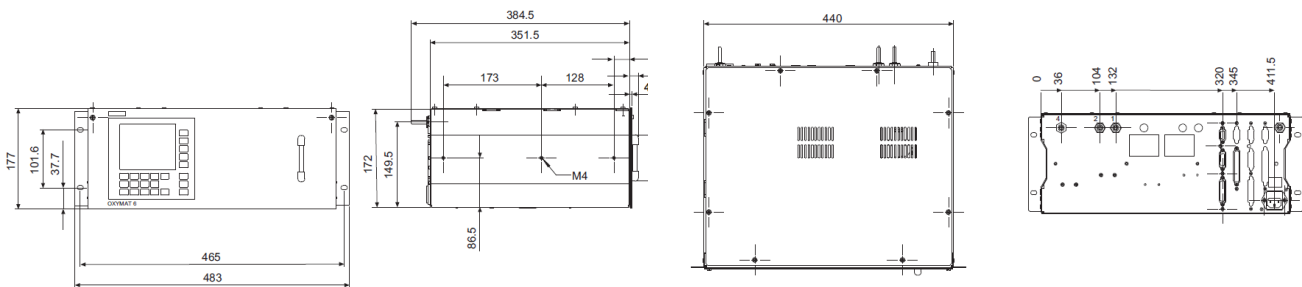
Suppliers of Gas Analysis Equipment

OXYMAT 6 Continuous Oxygen Analyser

SPECIFICATIONS - 19" RACK UNIT (cont.)

PN	OXYMAT 6 [19" Rack Unit]
Output Signal Fluctuation	< 0.75 % of the Smallest Possible Measuring Range, with Electronic Damping Constant of 1 sec
Zero Point Drift	< 0.5 %/month of the Smallest Possible Span According to Rating Plate
Measured Value Drift	< 0.5 %/month of the Current Measuring Range
Repeatability	< 1 % of the Current Measuring Range
Detection Limit	1% of the Current Measuring Range
Linearity Error	< 0.1 % of the Current Measuring Range
Analog Outputs	0/2/4 ... 20 mA, Isolated; Max. Load 750 Ω
Outputs Inputs	6 Relay Outputs 2 Analog Inputs 6 Binary Inputs
Serial Interface	RS485
Degree of Protection	IP20 according to EN 60529 CE Mark in Accordance with EN 5008-1-1, EN 50082-2
Weight	Approx. 13 kg

TECHNICAL DRAWINGS - 19" RACK UNIT

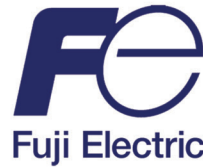


For more information, please contact our sales department (contact details below)

CONTACT US: DRM Technic, 15C Raleigh Hall Industrial Estate, Stafford, Staffordshire, ST21 6JL



OFFICIAL UK DISTRIBUTORS FOR:



DRM Technic

Suppliers of Gas Analysis Equipment

**OXYMAT 6 Continuous
Oxygen Analyser**

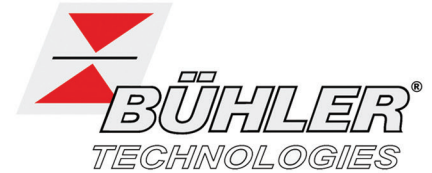
SPECIFICATIONS - FIELD DEVICE

PN	OXYMAT 6 [Field Device]
Measuring Ranges	4, Internally and Externally Switchable. Autoranging is Also Possible.
Span Range	0.5 / 2 / 5 vol.% O ₂ ... 100 vol.% O ₂
Sample Gas Pressure	With Pipes: 500 ... 3000 hPa abs. With Hoses: 500 ... 1160 / 3000 hPa abs.
Sample Gas Flow	18 ... 60 l/h (0.3 .. 1 l/min)
Sample Gas Temp.	0 ... 50 °C, above dew point (unheated) 15 °C Above Temp. Analyser Unit (heated)
Sample Gas Humidity	< 90 % RH
Reference Gas Pressure	High Pressure Version: 2,000 ... 4000 hPa Above Sample Pressure; Max. 5000 hPa Low Pressure Version: Min. 100 hPa Above Sample Gas Pressure
Ambient Temp.	- 30 ... + 70 °C (storage and transportation) 5 ... 45 °C (operation)
Ambient Humidity	< 90 % RH
Warm-Up Period	At Room Temperature: < 30 min (technical specs. will be met after 2 hours)
Delayed Display (T ₉₀)	< 1.5 secs
Damping	0 ... 100 sec, Parameterisable
Dead Time	Approx. 0.5 ... 2.5 secs, Depending on Version
Pressure Sensor Correction Range	Internal: 500 ... 2000 hPa abs. External: 500 ... 3000 hPa abs.
Power Supply	100 ... 120 V AC, 48 ... 63 Hz 200 ... 240 V AC, 48 ... 63 Hz
Power Consumption	Approx. 35 VA; Approx. 330 VA with Heated Version
Output Signal Fluctuation	< 0.75 % of the Smallest Possible Measuring Range, with Electronic Damping Constant of 1 sec
Zero Point Drift	< 0.5 %/month of the Smallest Possible Span According to Rating Plate
Measured Value Drift	< 0.5 %/month of the Current Measuring Range
Repeatability	< 1 % of the Current Measuring Range
Detection Limit	1% of the Current Measuring Range
Linearity Error	< 0.1 % of the Current Measuring Range
Analog Outputs	0/2/4 ... 20 mA, Isolated; Max. Load 750 Ω
Outputs Inputs	6 Relay Outputs 2 Analog Inputs 6 Binary Inputs
Serial Interface	RS485
Degree of Protection	IP65 according to EN 60529 CE Mark in Accordance with EN 5008-1-1, EN 50082-2
Weight	Approx. 28 kg

CONTACT US: DRM Technic, 15C Raleigh Hall Industrial Estate, Stafford, Staffordshire, ST21 6JL



OFFICIAL UK DISTRIBUTORS FOR:



DRM Technic

Suppliers of Gas Analysis Equipment

**OXYMAT 6 Continuous
Oxygen Analyser**

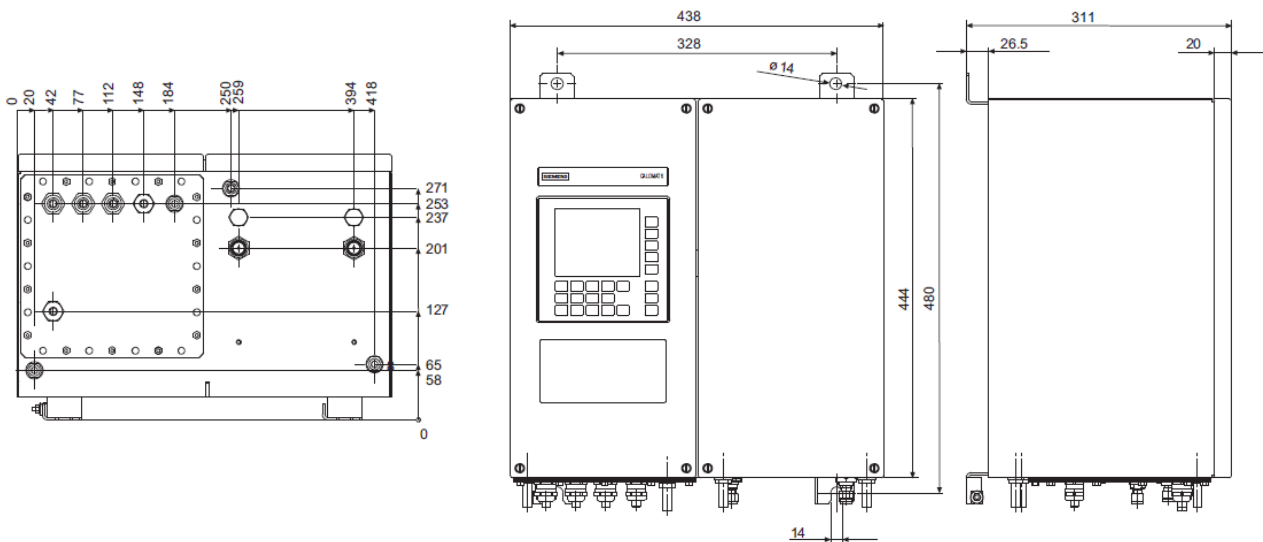
OPTIONS - FIELD DEVICE

Available Options

Heated Versions for Use with Gases Condensing at Low Temperatures

EEx(p) Version for Zones 1 and 2 According to ATEX 2G and ATEX 3G

TECHNICAL DRAWINGS - FIELD DEVICE



For more information, please contact our sales department (contact details below)

CONTACT US: DRM Technic, 15C Raleigh Hall Industrial Estate, Stafford, Staffordshire, ST21 6JL