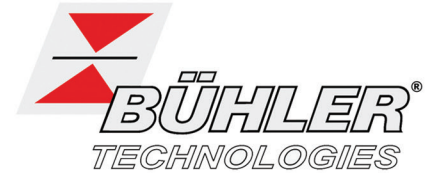




OFFICIAL UK DISTRIBUTORS FOR:



DRM Technic

Suppliers of Gas Analysis Equipment

**Gas 222.20 ATEX
Sample Gas Probe**

GAS 222.20 ATEX SAMPLE GAS PROBE

In gas analysis, the sample point is a critical interface between the process and the analysis system. The GAS 222 series of probes have a robust modular design, come assembled-to-order, are easy to install and have low operational costs.



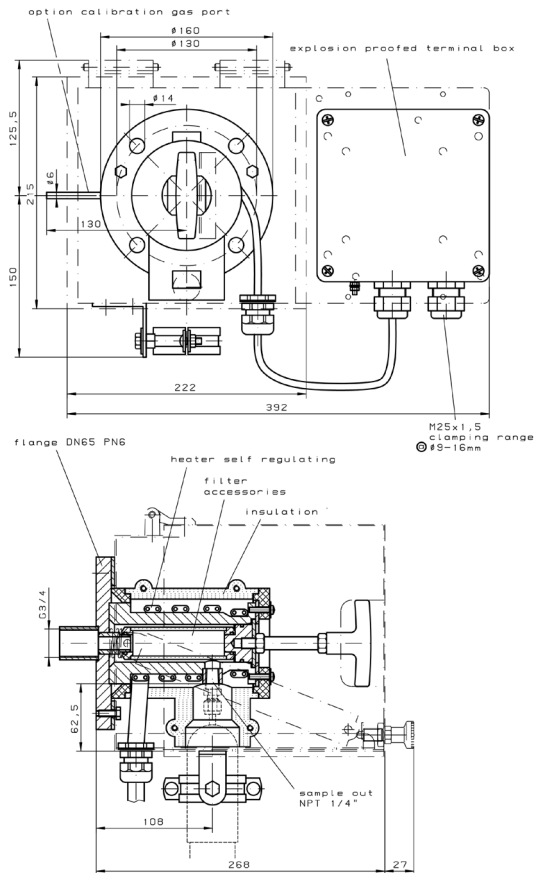
FEATURES

- Heated Probe w/ Downstream Filter, Weather Protection Shield & Junction Box | Easy Filter Element Replacement**
- Effective Insulation and Protection Shield | C-US and CSA Approval**
- Self-Regulating at up to 130 °C (T3) / 70 °C (T4)**
- For Dust Concentrations >2 g/m³**

SPECIFICATIONS

Product No.	GAS 222.20 ATEX
Material	1.4571 SS
Seals	Graphite, 1.4404 SS + filter elements
Max. Working Pressure	6 bar
Max. Flow Rate	1000 l/h
Max. Inlet Temp. Process Media	135 °C
Voltage	230 V, 50/60 Hz; or 115 V, 50/60 Hz
External Circuit Breaker	Type C: 2A for 230 V, 50/60 Hz 3 A for 115 V, 50/60 Hz
Ambient Temperature	-20 to 50 °C
Temperature	Self-regulating; approx. 80 °C
Ex-marking of the basic unit	1 GD / 2 GD T4 T130 °C

TECHNICAL DRAWINGS



OPTIONS AND ACCESSORIES

Please see the "GAS 222 ACCESSORIES" datasheet for our full range of accessories

CONTACT US: DRM Technic, 15C Raleigh Hall Industrial Estate, Stafford, Staffordshire, ST21 6JL