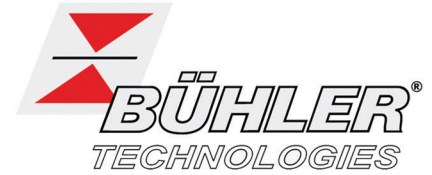
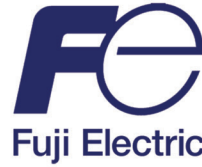




OFFICIAL UK DISTRIBUTORS FOR:



# DRM Technic

Suppliers of Gas Analysis Equipment

CPsingle/CPdouble X1  
Sample Gas Pumps

## CPsingle/CPdouble X1 PERISTALTIC CONDENSATE PUMPS

These pumps are specially designed to move condensate out of a gas analysis system.

These heavy duty peristaltic drain pumps are flame-proof, suitable for corrosive condensates, and specified for use in Zone 1 explosive areas as per ATEX and IECEx.



### FEATURES

**Housing Version | Pumps available as Single or Double Head | Separate Installation Possible  
Easy to Replace Hoses | Various Hose Materials Available | 115/230 V AC | Reliable Build**

### SPECIFICATIONS

Product No.	CPsingle/CPdouble Peristaltic Pump
Nominal Voltage / Power Input at $T_{amb} = 20\text{ °C}$ and under load	230 V 50 Hz, 0.026 A   115 V 60 Hz, 0.052 A
Flow Rate	0.3 L/h (50 Hz) w/o Standard Hose   0.36 L/h (60 Hz) w/ Standard Hose
Inlet Vacuum	Max. 0.8 bar
Inlet Pressure	Max. 1 bar
Output Pressure	1 bar
Degree of Protection	IP40
Ambient Temperature	0 ... 60 °C
Materials	Hose: Norprene (Standard)   Connections: PVDF
Motor Markings	ATEX: Ex II 2G Ex db IIB T4 Gb   IECEx: Ex db IIB T4 Gb
Pump Marking	EX II 2G c IIB T4 X

### CALCULATING CONDENSATE ACCUMULATION

Dew point	30	40	50	60	70	80	°C
Moisture Content	4	7	12	20	31	47	Vol%
Moisture Accumulation (w) per 100 NI/h/cooled air	2.2	4	6.5	12	22	44	ml/h per 100 NI

Total condensate accumulation formula:

$$w_{ttl} = \frac{\text{Cooled air flow}}{100 \text{ NI/h}} \cdot w \text{ (inlet dew point)}$$

Example: 180 NI/h behind the cooler; Inlet dew point 50 °C

$$w_{ttl} = \frac{180 \text{ NI/h}}{100 \text{ NI/h}} \cdot 6.5 \frac{\text{ml}}{\text{h}} = 12 \frac{\text{ml}}{\text{h}}$$

CONTACT US: DRM Technic, 15C Raleigh Hall Industrial Estate, Stafford, Staffordshire, ST21 6JL



OFFICIAL UK DISTRIBUTORS FOR:



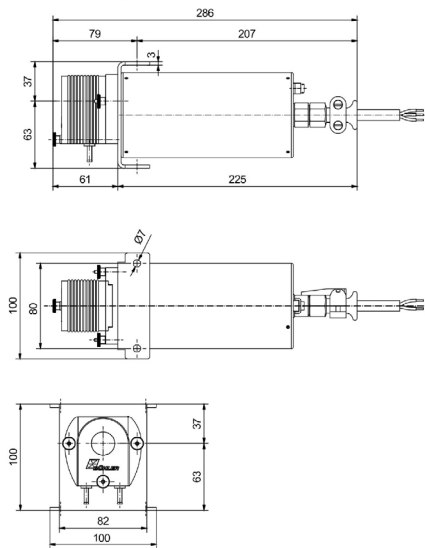
# DRM Technic

Suppliers of Gas Analysis Equipment

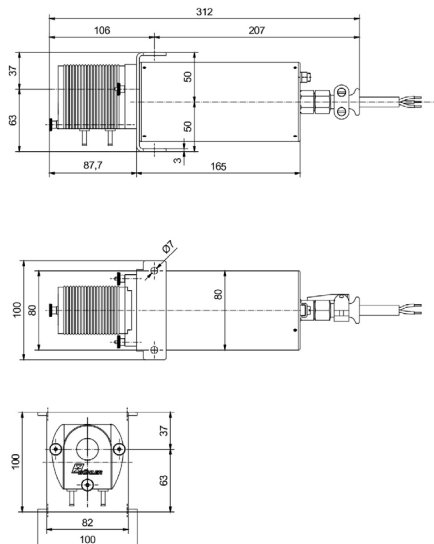
CPsingle/CPdouble X1  
Sample Gas Pumps

## TECHNICAL DRAWINGS

Version with 1 gas path



Version with 2 gas paths



For more, please contact our  
sales department

## AVAILABLE OPTIONS & ACCESSORIES

### Gas Path

Single Gas Path

Double Gas Path

### Version

Housing Version

### Supply Voltage

115 V AC

230 V AC

### Area of Application

Explosive Areas Zone 1

### Hose Material

Norprene

### Flow Rate / Hour

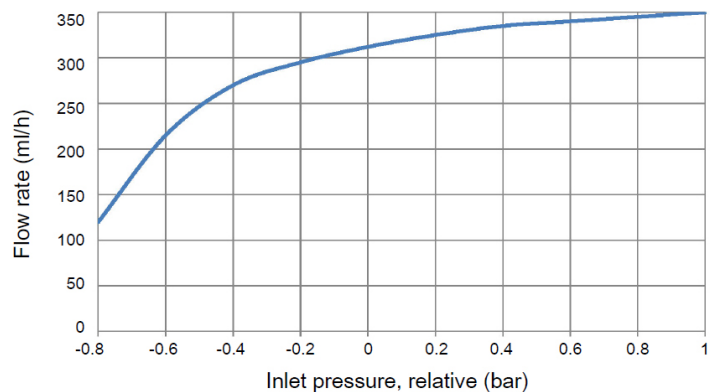
0.3 L/h

### Hose Connection

Straight Hose Nipple

Screw Connection (metric) DN 4/6

## FLOW CURVES



CONTACT US: DRM Technic, 15C Raleigh Hall Industrial Estate, Stafford, Staffordshire, ST21 6JL

DRM/P2383/  
010916/002

Tel: +44 (0) 1782 638491 | Email: [sales@drmtechnic.com](mailto:sales@drmtechnic.com) | Web: [www.drmtechnic.com](http://www.drmtechnic.com)

DRM/P2383/  
010916/002