

Directional Valves GKH in PFA or PVDF



These switching valves are designed to direct streams, calibration gas etc. to process or laboratory analysers. The switching valves are available in a number of models.

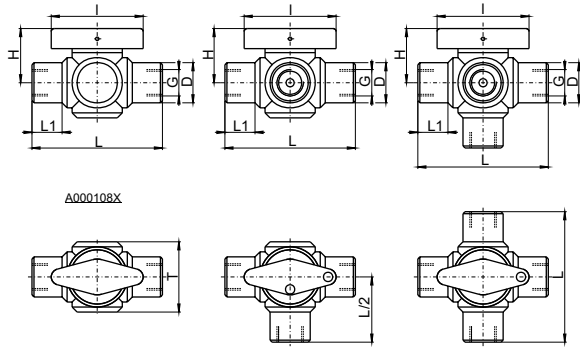
Mounting options include clamp and claw mounts.

- **For corrosive gases**
- **Many types available**
- **Available in PFA or PVDF**

Dimensions

(mm except as noted)

| | | | | | | | |
|----|------|----|----|----|----|----|----|
| DN | G | D | H | T | L | L1 | I |
| 4 | 1/4" | 20 | 27 | 30 | 65 | 15 | 40 |



Application in explosive atmosphere (additional indications):

The equipment is not within the scope of Directive 94/9/EC. However the equipment corresponds to the essential requirements of the Directive. Therefore they can be used in potentially explosive atmosphere (Zone1, Group IIC).



Electrostatic Charge

- Clean plastic parts and labels with damp cloth only.
- Gas must be free from particles and droplets.



Gas Leaks

- Protect the equipment against impact.
- Life- and explosion risk may result from gas leakage due to improper use.
- During maintenance or inspection, release the process pressure or switch off the process. Use face protection and gloves. The process gas may be harmful or explosive.
- Vent all gases outside of the working- and traffic area.



Surface Temperature

Note the ignition temperature of the explosive gas-atmosphere as well as maximum allowable surface temperatures (see Directive 94/9/EC and harmonised standards).

Technical Data: GKH-x

-PVDF

-PFA

| | | | |
|---------------------------------|-------------------|-------------------|-------------------|
| Material | housing gasket | PVDF Viton | PFA Viton |
| Terminals | | G 1/4" | G 1/4" |
| Operating Pressure max.* | | 10 bar | 10 bar |
| Media Temperature max. | | -30 °C to +140 °C | -30 °C to +200 °C |
| Nominal Width | | 4 mm | 4 mm |

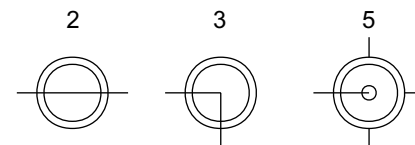
* The maximum pressure decreases with increasing temperature (see table below); values given in % of the maximum pressure at 20 °C

| Material | max. press. | 20 | 30 | 40 | 50 | 60 | 70 | 80 | 90 | 100 | 110 | 120 | 130 | 140 | 150 | 160 | 170 | 180 | 190 | 200 | °C | |
|----------|-------------|-----|----|----|----|----|----|----|----|-----|-----|-----|-----|-----|-----|-----|-----|-----|-----|-----|----|---|
| PVDF | 10 bar | 100 | 80 | 70 | 60 | 50 | 45 | 40 | 35 | 35 | 30 | 25 | 25 | | | | | | | | | % |
| PFA | 10 bar | 100 | 90 | 85 | 80 | 70 | 60 | 50 | 45 | 40 | 35 | 30 | 30 | 25 | 20 | 15 | 10 | 10 | 10 | 10 | | % |

Please indicate with order

| Part No. | Type |
|-----------|---------------------------------------|
| 40 61 299 | 2-way switching valve type GKH-2-PVDF |
| 40 71 299 | 2-way switching valve type GKH-2-PFA |
| 40 61 399 | 3-way switching valve type GKH-3-PVDF |
| 40 71 399 | 3-way switching valve type GKH-3-PFA |
| 40 61 599 | 5-way switching valve type GKH-5-PVDF |
| 40 71 599 | 5-way switching valve type GKH-5-PFA |

Function



A00010D

Mounting Options:

| | |
|-----------|---------------|
| 40 60 098 | mounting claw |
| 40 60 099 | clamp set |