



OFFICIAL UK DISTRIBUTORS FOR:

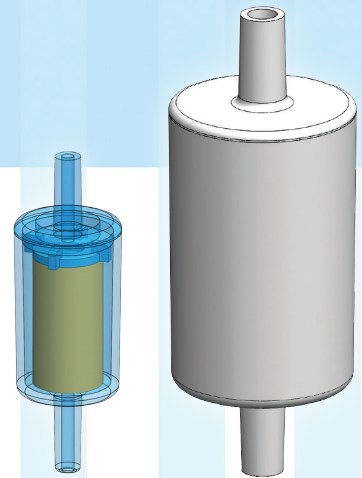


DRM Technic

Suppliers of Gas Analysis Equipment

xxIF DISPOSABLE IN-LINE FILTERS

xxIFs consist of permanently welded housings with encapsulated microfibre filter elements. They are ideal for portable analysers.



FEATURES

**Materials: PA and PVDF | Ports: 1/4" Spigot or 1/4" NPT (M)
Pressure: 4 or 8 Bar | Elements: See Table Below**

SPECIFICATIONS - SMALL FILTERS (SIF)

	NSIF1	NSIF2	NSIF3	KSIF1	KSIF2	KSIF3
General						
Port Size	1/4" Spigot	1/4" Spigot	1/4" Spigot	1/4" Spigot	1/4" Spigot	1/4" Spigot
Max. Pressure	8 Bar	8 Bar	8 Bar	4 Bar	4 Bar	4 Bar
Max. Temperature	50 °C	50 °C	50 °C	50 °C	50 °C	50 °C
Materials of Construction						
Body	PA	PA	PA	PVDF	PVDF	PVDF
Element Grade	1	2	3	1	2	3
Principal Dimensions						
Diameter	25 mm	25 mm	25 mm	25 mm	25 mm	25 mm
Length	43.5 mm	43.5 mm	43.5 mm	53.5 mm	53.5 mm	53.5 mm
Volume	11 cc	11 cc	11 cc	11 cc	11 cc	11 cc

SPECIFICATIONS - LARGE FILTERS (LIF)

	NLIF1	NLIF2	NLIF3	KLIF1	KLIF2	KLIF3
General						
Port Size	1/4" NPT (M)	1/4" NPT (M)	1/4" NPT (M)	1/4" NPT (M)	1/4" NPT (M)	1/4" NPT (M)
Max. Pressure	8 Bar	8 Bar	8 Bar	4 Bar	4 Bar	4 Bar
Max. Temperature	50 °C	50 °C	50 °C	50 °C	50 °C	50 °C
Materials of Construction						
Body	PA	PA	PA	PVDF	PVDF	PVDF
Element Grade	1	2	3	1	2	3
Principal Dimensions						
Diameter	51 mm	51 mm	51 mm	51 mm	51 mm	51 mm
Length	79 mm	79 mm	79 mm	79 mm	79 mm	79 mm
Volume	110 cc	110 cc	110 cc	110 cc	110 cc	110 cc

CONTACT US: DRM Technic, 4 Cherry Orchard, Newcastle-under-Lyme, Staffordshire, UK, ST5 2UB