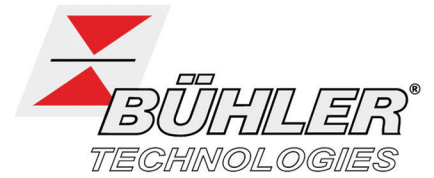
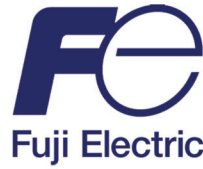




OFFICIAL UK DISTRIBUTORS FOR:



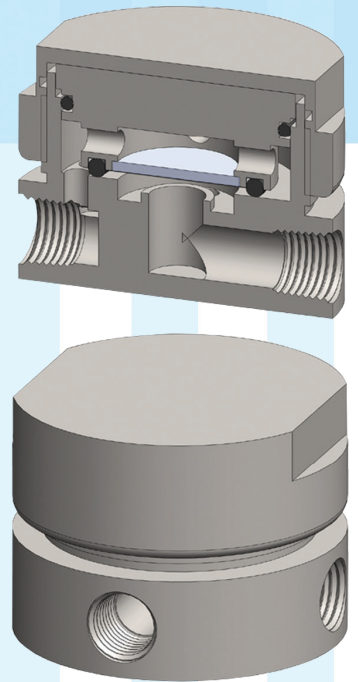
DRM Technic

Suppliers of Gas Analysis Equipment

M1-xx MEMBRANE HOUSINGS

M1-xx Membrane Housings use a porous PTFE membrane which is supported by a sintered porous stainless steel disc on the outlet side. This port can also be used as a bypass function for the main flow.

The design of the housing allows the membrane to be changed quickly and easily. All of the line connections are arranged in the body of the housing and the threaded cap means no tools are required for access.



FEATURES

Materials: PTFE & 316L Stainless Steel | Ports: 1/4" NPT (F)
Pressure: > 200 Bar | Temperature: 150 °C

SPECIFICATIONS

Product Number	M1-TT	M1-SS
General		
Port Size	1/4" NPT (F)	1/4" NPT (F)
Drain	1/4" NPT (F)	1/4" NPT (F)
Max. Pressure	7 Bar	7 Bar
Max. Temperature	150 °C	150 °C
Materials of Construction¹		
Head & Internals	PTFE	316L SS
Bowl	PTFE	316L SS
Seals	Viton	Viton
Membrane Element	MEM1-FE	MEM1-FE
Principal Dimensions		
Diameter	63 mm	63 mm
Height of Body	47 mm	47 mm
Volume	10 cc	10 cc
Weight	0.30 kg	0.95 kg
Accessories		
Mounting Bracket	SMB-M	SMB-M
Support Core	MEM1-SD	MEM1-SD
Fittings Kit	LFK	LFK-S

PARTS LIST

Housing	M1-xx ²
Membrane Element	MEM1-FE ²
Mounting Bracket	SMB-M
Support Core	MEM1-SD
Fittings Kit	LFKxx ²

FOOTNOTES

¹ Material abbreviations:
 - 316L SS: 316L Stainless Steel
 - PTFE: Polytetrafluoroethylene

² Replace the "x" with the required number/letter

For more information, please contact our sales department (contact details below)

CONTACT US: DRM Technic, 4 Cherry Orchard, Newcastle-under-Lyme, Staffordshire, UK, ST5 2UB

Tel: +44 (0) 1782 638491 | Email: sales@drmtechnic.com | Web: www.drmtechnic.com

DRM/M1xx/
121115/002

DRM/M1xx/
121115/002