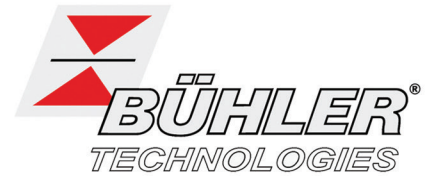




OFFICIAL UK DISTRIBUTORS FOR:

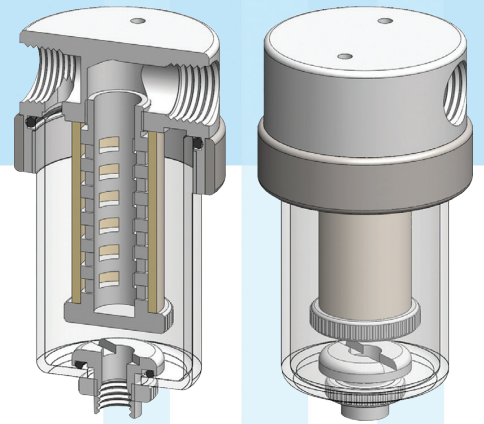


DRM Technic

Suppliers of Gas Analysis Equipment

FHx-TG PTFE / GLASS (DURAN) FILTER HOUSINGS

FHx-TG series filter housings are made of PTFE with a glass bowl which allows for the monitoring of the element while in use. Due to the nature of PTFE, they are fitted with a 316L Stainless Steel collar in the head.



FEATURES

Materials: PTFE & Pyrex Glass | Ports: 1/4" NPT (F) | Pressure: 7 Bar | Elements: See Specifications

SPECIFICATIONS

Product No.	FH1-TG	FH2-TG
General		
Port Size	1/4" NPT (F)	1/4" NPT (F)
Drain	1/4" NPT (F)	1/4" NPT (F)
Max. Pressure	7 Bar	7 Bar
Max. Temperature	150 °C	150 °C
Materials of Construction		
Head and Internals	PTFE	PTFE
Bowl	Pyrex Glass	Pyrex Glass
Seals	Viton	Viton
Suitable Elements		
Coalescing Filter Element	FH1-CFE	FH2-CFE
Particulate Filter Element	FH1-PFE	FH2-PFE
Adsorber Cartridge Code ¹	FH1-ATEX	FH2-ATEX
Principal Dimensions		
Diameter	50 mm	68 mm
Height	120 mm	132 mm
Volume	63 cc	115 cc
Weight	0.12 kg	0.53 kg

ACCESSORIES

Mounting Bracket	SMB	LMB
Fittings Kit	LFK	LFK

CONTACT US: DRM Technic, 4 Cherry Orchard, Newcastle-under-Lyme, Staffordshire, UK, ST5 2UB

Tel: +44 (0) 1782 638491 | Email: sales@drmtechnic.com | Web: www.drmtechnic.com

DRM/FHxTG/
121115/002

DRM/FHxTG/
121115/002



OFFICIAL UK DISTRIBUTORS FOR:



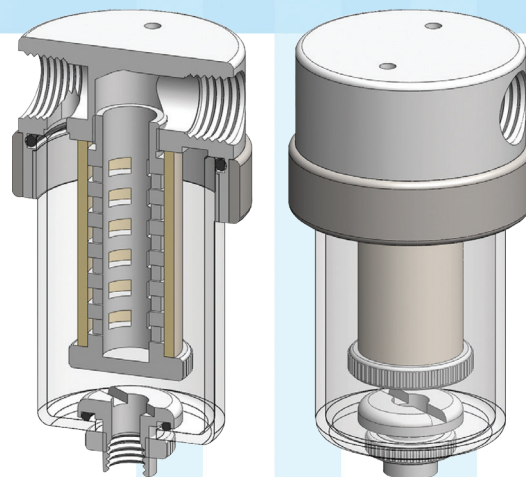
DRM Technic

Suppliers of Gas Analysis Equipment

FHx-TG PTFE/GLASS (DURAN) FILTER HOUSINGS

PARTS LIST ¹

Housing	FHx-TG
Filter Element	FHx-xFE
Adsorber Element	FHx-ATEx
Mounting Bracket	xMB
Fittings Kit	LFK



FILTER GRADES

The efficiency depends on the flow rate and pressure but for analytical applications with typically low flows, you can consider:

Grade 5	Grade 6	Grade 7	Grade 8
0.1 Micron	1.0 Micron	10.0 Micron	+50.0 Micron
0.2 Micron	2.0 Micron	20.0 Micron	
	5.0 Micron		

ADSORBER GRADES

Grade	Adsorber	Principal Uses
1	Activated Carbon Granules	Removal of hydrocarbons and other organic vapours
2	Activated Carbon Cloth	Removal of hydrocarbons and other organic vapours
3	Molecular Sieve 4A	Removal of CO ₂ , NH ₃ , H ₂ S, and SO _x
4	Molecular Sieve 13X	Removal of CO ₂ , NH ₃ , H ₂ S, SO _x , aromatics and amines
5	Silica Gel (Blue)	Removal of water vapour
5a	Silica Gel (Orange)	Removal of water vapour
6	Mixed Bases (Soda Lime)	Removal of acidic gases, CO ₂ , SO _x , NO _x and HCl
7	Potassium Permanganate	Removal of SO _x and other acidic gases
8	Hopcalite	Removal of CO by catalytic conversions to CO ₂

FOOTNOTES: ¹ Replace "x" with the grade of adsorber required; ie. FH1-ATE3. For more details on the grades available, see the adsorber grade box above.

CONTACT US: DRM Technic, 4 Cherry Orchard, Newcastle-under-Lyme, Staffordshire, UK, ST5 2UB

Tel: +44 (0) 1782 638491 | Email: sales@drmtechnic.com | Web: www.drmtechnic.com

DRM/FHxTG/
121115/002

DRM/FHxTG/
121115/002