

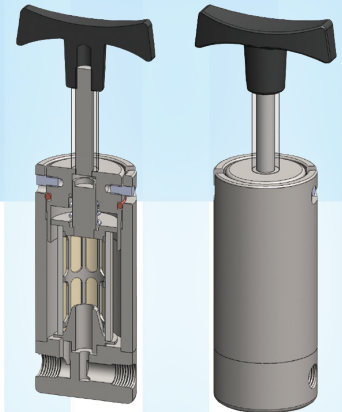


OFFICIAL UK DISTRIBUTORS FOR:



DRM Technic

Suppliers of Gas Analysis Equipment



FHx-SS-H STAINLESS STEEL HEATABLE FILTER HOUSING

FHx-SS-H filter housings are designed for hot gas analysis. The bayonet connection allows fast filter element service even at operating temperature.

FEATURES

Materials: 316L Stainless Steel
Ports: 1/4" NPT (F)
Pressure: 7 Bar
Temperature: 200 °C

FILTER GRADES

The efficiency depends on the flow rate and pressure, but for analytical applications with typically low flows, you can consider:

Grade 1	Grade 2	Grade 3
0.1 micron	1.0 micron	10.0 micron
0.2 micron	2.0 micron	20.0 micron
	5.0 micron	

SPECIFICATIONS

Product Number	FH1-SS-H	FH2-SS-H
General		
Port Size	1/4" NPT (F)	1/4" NPT (F)
Max. Pressure	7 Bar	7 Bar
Max. Temperature	200 °C	200 °C
Materials of Construction¹		
Head & Internals	316L SS	316L SS
Bowl	316L SS	316L SS
Seals	Silicone ²	Silicone ²
Port Position	Sides	Sides
Particulate Filter Element	FH2-PFE1	FH3-PFE1
Principal Dimensions		
Diameter	57 mm	57 mm
Length of Body	133 mm	247 mm
Length of Handle	90 mm	90 mm
Volume	100 cc	220 cc
Weight	1.9 kg	2.8 kg
Accessories		
Support Core	FH2-SC	FH3-SC
Fittings Kit	LFK-S	LFK-S

PARTS LIST

Housing	FHx-SS-H ³
Filter Element	FHx-PFE1 ³
Support Core	FHx-SC ³
Fittings Kit	LFK-S

FOOTNOTES

- Material abbreviations:
 - 316L SS: 316L Stainless Steel
 - PTFE: Polytetrafluoroethylene
- Silicone comes as standard; other materials are available
- Replace the "x" with the required number/letter

For more information, please contact our sales department (contact details below)

CONTACT US: DRM Technic, 4 Cherry Orchard, Newcastle-under-Lyme, Staffordshire, UK, ST5 2UB

DRM/FHxSSH/121115/002 Tel: +44 (0) 1782 638491 | Email: sales@drmtechnic.com | Web: www.drmtechnic.com DRM/FHxSSH/121115/002