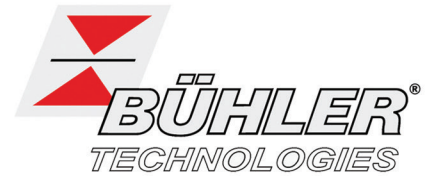




OFFICIAL UK DISTRIBUTORS FOR:

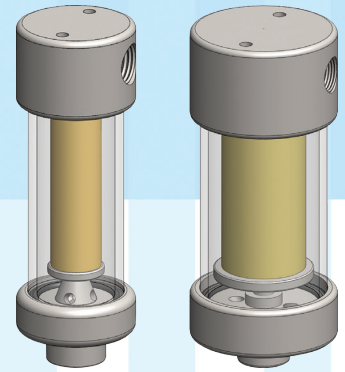


DRM Technic

Suppliers of Gas Analysis Equipment

FHx-SG STAINLESS STEEL & PYREX GLASS FILTER HOUSINGS

FHx-SG series filter housings are specified for high pressure 1/4" line applications where a fast response time is critical.



FEATURES

Materials: 316L Stainless Steel & Pyrex Glass | Ports: 1/4" NPT (F) | Pressure: 7 Bar

SPECIFICATIONS

Product No.	FH1-SG	FH2-SG	FH3-SG
General			
Port Size	1/4" NPT (F)	1/4" NPT (F)	1/4" NPT (F)
Drain	1/4" NPT (F)	1/4" NPT (F)	1/4" NPT (F)
Max. Pressure	7 Bar	7 Bar	7 Bar
Max. Temperature	100 °C	100 °C	100 °C
Materials of Construction			
Head and Internals	316L SS	316L SS	316L SS
Bowl	Pyrex Glass	Pyrex Glass	Pyrex Glass
Seals	Viton	Viton	Viton
Suitable Elements			
Coalescing Filter Element	FH1-CFE	FH2-CFE	FH3-CFE
Particulate Filter Element	FH1-PFE	FH2-PFE	FH3-PFE
Adsorber Cartridge Code ¹	FH1-ADEx	FH2-ADEx	FH3-ATEx
Principal Dimensions			
Diameter	40 mm	56 mm	56 mm
Height	118.5 mm	132.5 mm	245 mm
Volume	45 cc	70 cc	250 cc
Weight	0.4 kg	1.1 kg	1.25 kg

ACCESSORIES

Mounting Bracket	SMB	LMB	LMB
Support Core	FH1-SC	FH2-SC	FH3-SC
Fittings Kit	LFK	LFK	LFK
Catchpot Housing	--	FH2-SG-CP	--
Bubbler Housing	--	FH2-SG-BB	--

CONTACT US: DRM Technic, 4 Cherry Orchard, Newcastle-under-Lyme, Staffordshire, UK, ST5 2UB

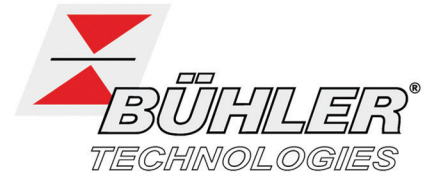
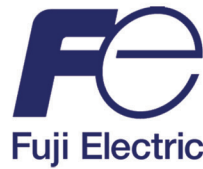
Tel: +44 (0) 1782 638491 | Email: sales@drmtechnic.com | Web: www.drmtechnic.com

DRM/FHxSG/
121115/002

DRM/FHxSG/
121115/002



OFFICIAL UK DISTRIBUTORS FOR:



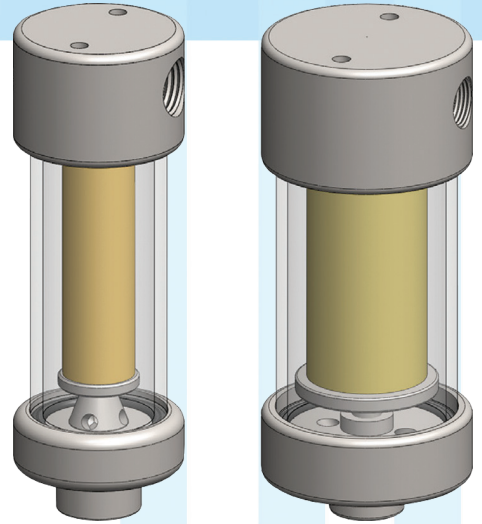
DRM Technic

Suppliers of Gas Analysis Equipment

FHx-SS STAINLESS STEEL AND PYREX GLASS FILTER HOUSINGS

PARTS LIST ¹

Housing	FHx-SG
Filter Element	FHx-xFE
Adsorber Element	FHx-ADEx
Mounting Bracket	xMB
Support Core	FHx-SC
Fittings Kit	LFK



FILTER GRADES

The efficiency depends on the flow rate and pressure but for analytical applications with typically low flows, you can consider:

Grade 5	Grade 6	Grade 7	Grade 8
0.1 Micron	1.0 Micron	10.0 Micron	+50.0 Micron
0.2 Micron	2.0 Micron	20.0 Micron	
	5.0 Micron		

ADSORBER GRADES

Grade	Adsorber	Principal Uses
1	Activated Carbon Granules	Removal of hydrocarbons and other organic vapours
2	Activated Carbon Cloth	Removal of hydrocarbons and other organic vapours
3	Molecular Sieve 4A	Removal of CO ₂ , NH ₃ , H ₂ S, and SO _x
4	Molecular Sieve 13X	Removal of CO ₂ , NH ₃ , H ₂ S, SO _x , aromatics and amines
5	Silica Gel (Blue)	Removal of water vapour
5a	Silica Gel (Orange)	Removal of water vapour
6	Mixed Bases (Soda Lime)	Removal of acidic gases, CO ₂ , SO _x , NO _x and HCl
7	Potassium Permanganate	Removal of SO _x and other acidic gases
8	Hopcalite	Removal of CO by catalytic conversions to CO ₂

FOOTNOTES: ¹ Replace "x" with the grade of adsorber required; ie. FH1-ATE3. For more details on the grades available, see the adsorber grade box above.

CONTACT US: DRM Technic, 4 Cherry Orchard, Newcastle-under-Lyme, Staffordshire, UK, ST5 2UB

Tel: +44 (0) 1782 638491 | Email: sales@drmtechnic.com | Web: www.drmtechnic.com

DRM/FHxSG/
121115/002

DRM/FHxSG/
121115/002