

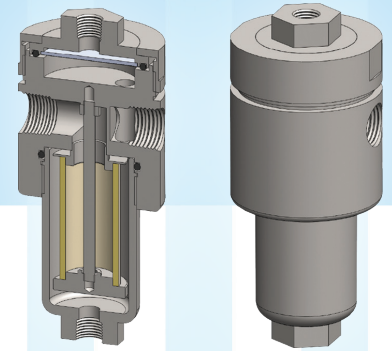


OFFICIAL UK DISTRIBUTORS FOR:



DRM Technic

Suppliers of Gas Analysis Equipment



FH1-xx-MF MEMBRANE AND FILTER HOUSING

FH1-xx-MF combination housings have a coalescing filter element and a PTFE membrane in a single unit.

FEATURES

Materials: 316L Stainless Steel & PTFE
Ports: 1/4" NPT (F)
Pressure: < 150 Bar
Temperature: < 150 °C
Elements: See Specification

FILTER GRADES

The efficiency depends on the flow rate and pressure, but for analytical applications with typically low flows, you can consider:

Grade 5	Grade 6	Grade 7	Grade 8
0.1 micron	1.0 micron	10.0 micron	+50.0 micron
0.2 micron	2.0 micron	20.0 micron	
	5.0 micron		

SPECIFICATIONS

Product Number	FH1-TT-MF	FH1-TG-MF	FH1-SS-MF
General			
Port Size	1/4" NPT (F)	1/4" NPT (F)	1/4" NPT (F)
Drain	1/4" NPT (F)	1/4" NPT (F)	1/4" NPT (F)
Max. Pressure	7 Bar	7 Bar	150 Bar
Max. Temperature	100 °C	100 °C	150 °C
Materials of Construction¹			
Head & Internals	PTFE	PTFE	316L SS
Bowl	PTFE	Pyrex	316L SS
Seals	Viton	Viton	Viton
Coalescing Filter Element	FH1-CFE	FH1-CFE	FH1-CFE
Particulate Filter Element	FH1-PFE	FH1-PFE	FH1-PFE
Adsorber Cartridge Code	MEM1-FE	MEM1-FE	MEM1-FE
Principal Dimensions			
Diameter	50 mm	50 mm	50 mm
Height of Body	135 mm	145 mm	135 mm
Volume	45 cc	45 cc	45 cc
Weight	0.55 kg	0.6 kg	1.0 kg
Accessories			
Bowl Guard	SMB-MF	SMB-MF	SMB-MF
Support Disc	MEM1-SD	MEM1-SD	MEM1-SD
Fittings Kit	LFK-MF	LFK-MF	LFK-S-MK

PARTS LIST

Housing	FH1-xx-MF ²
Filter Elements	FH1-xFE ²
Membrane Element	MEM1-FE
Mounting Bracket	SMB-MF
Support Core	MEM1-SD
Fittings Kit	LFK-x-MF ²

FOOTNOTES

- Material abbreviations:
 - 316L SS: 316L Stainless Steel
 - PTFE: Polytetrafluoroethylene
- Replace the "x" with the required number/letter

For more information, please contact our sales department (contact details below)

CONTACT US: DRM Technic, 4 Cherry Orchard, Newcastle-under-Lyme, Staffordshire, UK, ST5 2UB

Tel: +44 (0) 1782 638491 | Email: sales@drmtechnic.com | Web: www.drmtechnic.com

DRM/FHxxMF/
121115/002

DRM/FHxxMF/
121115/002