

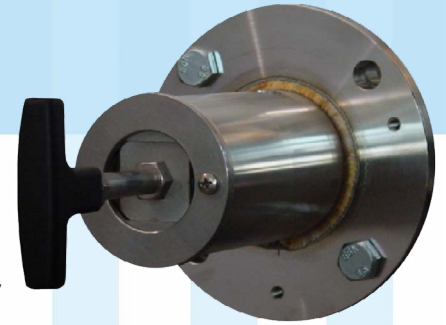


OFFICIAL UK DISTRIBUTORS FOR:



# DRM Technic

Suppliers of Gas Analysis Equipment



## GAS 222.35U SAMPLE GAS PROBE

In gas analysis, the sample point is a critical interface between the process and the analysis system. The GAS 222 series of probes have a robust modular design, come assembled-to-order, are easy to install and have low operational costs.

### FEATURES

- Unheated sample gas probe with in-situ filter
- Easy filter element replacement
- For dust concentrations of up to 200 g/m<sup>3</sup>
- For non-condensable gases
- For hazardous areas with no internal ignition point

### SPECIFICATIONS

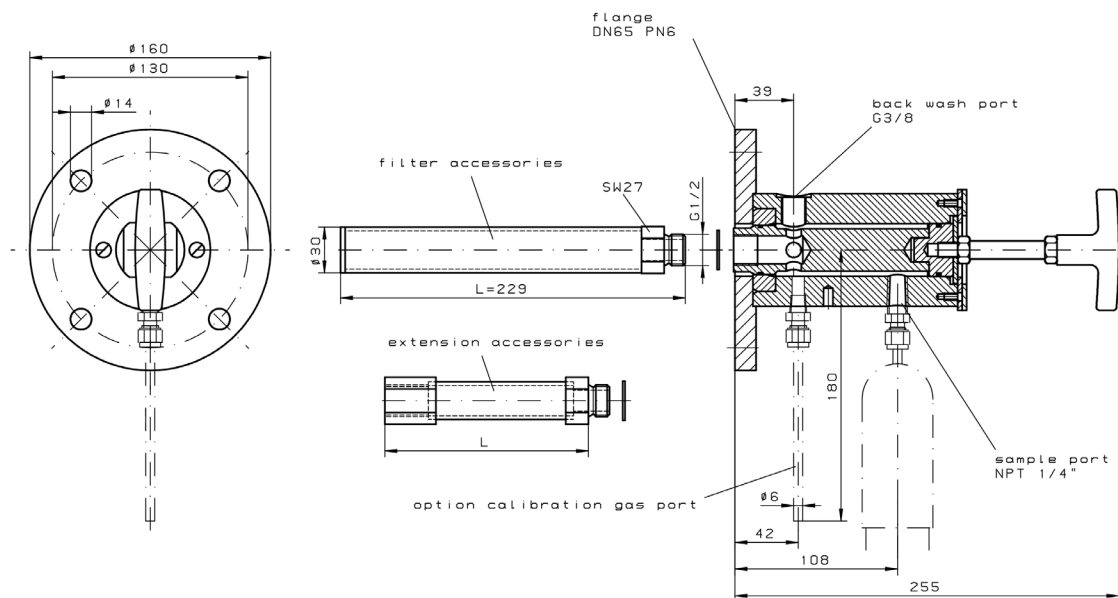
<b>Product No.</b>	<b>GAS 222.35U</b>
Material	1.4571 SS
Seals	Graphite, 1.4404 SS
Operating Temperature	Max. 200 °C
Max. Working Pressure	6 bar

### OPTIONS AND ACCESSORIES

Please see the "GAS 222 ACCESSORIES" datasheet for our full range of accessories

For more information, please free to contact our sales department (contact details below)

### TECHNICAL DRAWINGS



CONTACT US: DRM Technic, 4 Cherry Orchard, Newcastle-under-Lyme, Staffordshire, UK, ST5 2UB

DRM/G22235U/230216/001 | Tel: +44 (0) 1782 638491 | Email: sales@drmtechnic.com | Web: www.drmtechnic.com | DRM/G22235U/230216/001