



OFFICIAL UK DISTRIBUTORS FOR:

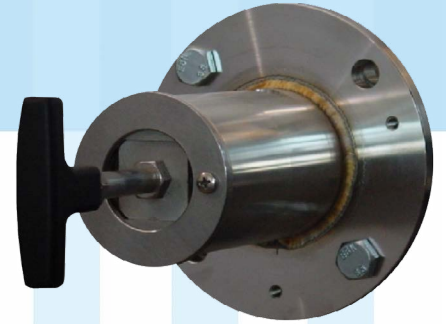


DRM Technic

Suppliers of Gas Analysis Equipment

GAS 222.35U ANSI/CSA SAMPLE GAS PROBE

In gas analysis, the sample point is a critical interface between the process and the analysis system. The GAS 222 series of probes have a robust modular design, come assembled-to-order, are easy to install and have low operational costs.



FEATURES

- Unheated sample gas probe with in-situ filter
- Easy filter element replacement
- For dust concentrations of up to 200 g/m³
- For non-condensable gases
- For hazardous areas with no internal ignition point
- C-US and CSA Approval

SPECIFICATIONS

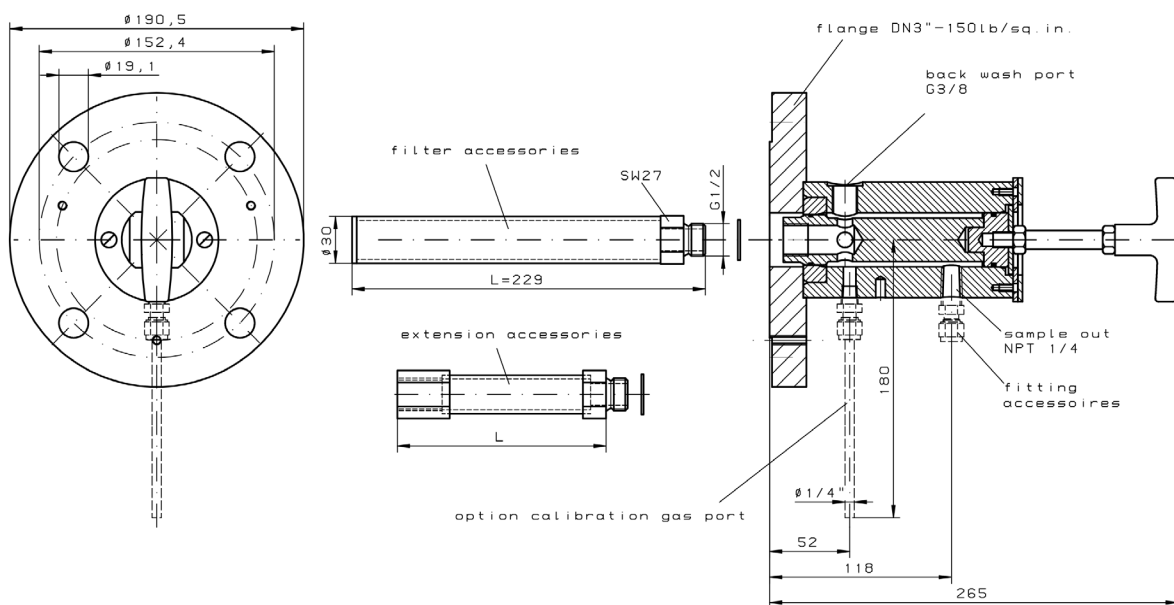
Product No.	GAS 222.35U ANSI/CSA
Material	1.4571 SS
Seals	Graphite, 1.4404 SS
Operating Temperature	Max. 200 °C
Max. Working Pressure	6 bar

OPTIONS AND ACCESSORIES

Please see the "GAS 222 ACCESSORIES" datasheet for our full range of accessories

For more information, please free to contact our sales department (contact details below)

TECHNICAL DRAWINGS



CONTACT US: DRM Technic, 4 Cherry Orchard, Newcastle-under-Lyme, Staffordshire, UK, ST5 2UB

DRM/G235UA/080316/001 Tel: +44 (0) 1782 638491 | Email: sales@drmtechnic.com | Web: www.drmtechnic.com DRM/G235UA/080316/001