

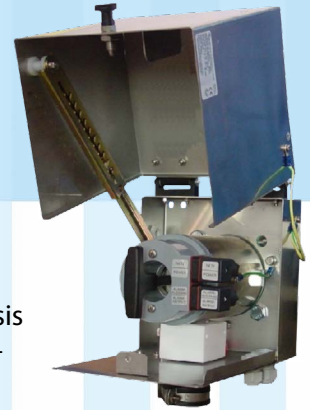


OFFICIAL UK DISTRIBUTORS FOR:



DRM Technic

Suppliers of Gas Analysis Equipment



GAS 222.35 ATEX 2 SAMPLE GAS PROBE

In gas analysis, the sample point is a critical interface between the process and the analysis system. The GAS 222 series of probes have a robust modular design, come assembled-to-order, are easy to install and have low operational costs.

FEATURES

- Heated sample gas probe with an in-situ filter and weather protection shield
- Effective insulation | Self-regulating at up to 120 °C (T3) / 70 °C (T4) with low temperature alarm
- For dust concentrations of up to 200 g/m³ | Specified for use in hazardous areas

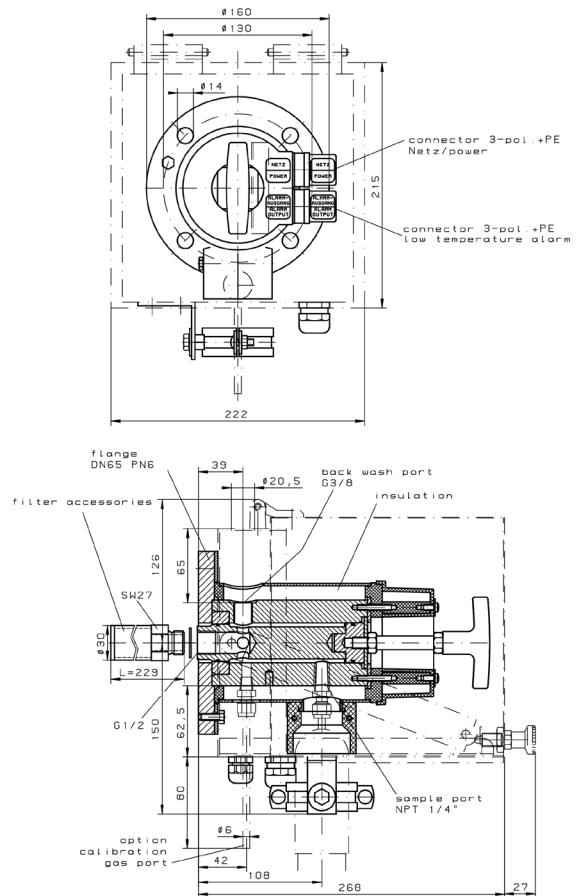
SPECIFICATIONS

| | |
|-----------------------|--|
| Product No. | GAS 222.35 ATEX 2 |
| Material | 1.4571 SS |
| Seals | PTFE, Graphite, 1.4404 SS + filter elements |
| Max. Working Pressure | 6 bar |
| Voltage | 115-230 V, 50/60 Hz |
| Temperature | Self-regulating; + 125 °C (T3) / + 70 °C (T4) |
| Low Temperature Alarm | Contact is open at operating temperature; closes at < 95 °C (T3) resp. < 45 °C (T4); U _{max} =30VDC, I _{max} = 100mA, CI/Li~0 |
| Ambient Temperature | - 20 to 80 °C |
| Suitable for | II 3G EEx nA L IIC T3; 3G c IIC T3; II 3G EEx nA L IIC T4; 3G c IIC T4 |

OPTIONS AND ACCESSORIES

Please see the "GAS 222 ACCESSORIES" datasheet for our full range of accessories

TECHNICAL DRAWINGS



CONTACT US: DRM Technic, 4 Cherry Orchard, Newcastle-under-Lyme, Staffordshire, UK, ST5 2UB

DRM/G2235A2/230216/001 | Tel: +44 (0) 1782 638491 | Email: sales@drmtechnic.com | Web: www.drmtechnic.com | DRM/G2235A2/230216/001