



OFFICIAL UK DISTRIBUTORS FOR:



DRM Technic

Suppliers of Gas Analysis Equipment

GAS 222.35 ANSI/CSA SAMPLE GAS PROBE

In gas analysis, the sample point is a critical interface between the process and the analysis system. The GAS 222 series of probes have a robust modular design, come assembled-to-order, are easy to install and have low operational costs.



FEATURES

Heated sample gas probe with an in-situ filter and weather protection shield
Effective insulation | Electronic heater up to 200 °C with low/high temperature alarm and display
For dust concentrations of up to 200 g/m³ | Not for hazardous areas | C-US and CSA approval

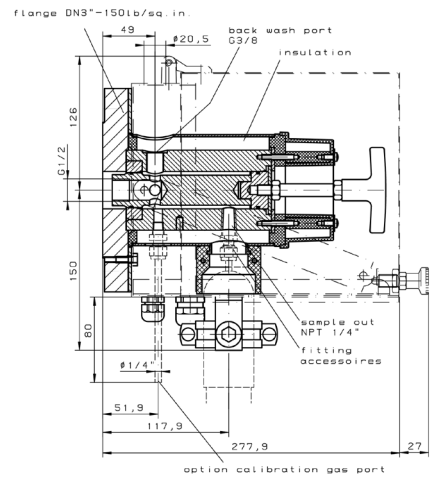
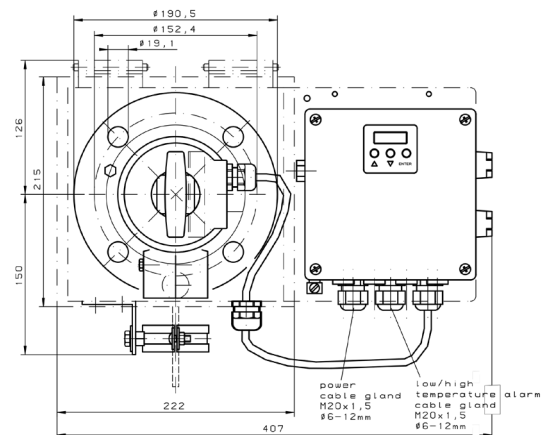
SPECIFICATIONS

Product No.	GAS 222.35 ANSI/CSA
Material	1.4571 SS
Seals	PTFE, Graphite, 1.4404 SS + filter elements
Max. Working Pressure	6 bar
Voltage	230 V, 2.0 A, 50/60 Hz; 115 V, 3.8 A 50/60 Hz
Temperature	Self-regulating; + 125 °C (T3) / + 70 °C (T4)
Low Temperature Alarm	Contact is open at operating temperature; closes at < 95 °C (T3) resp. < 45 °C (T4); U _{max} =30VDC, I _{max} = 100mA, CI/Li~0
Ambient Temperature	- 20 to 70 °C
Protection Class	IP54

OPTIONS AND ACCESSORIES

Please see the "GAS 222 ACCESSORIES" datasheet for our full range of accessories

TECHNICAL DRAWINGS



CONTACT US: DRM Technic, 4 Cherry Orchard, Newcastle-under-Lyme, Staffordshire, UK, ST5 2UB

DRM/G2235A/040316/001 Tel: +44 (0) 1782 638491 | Email: sales@drmtechnic.com | Web: www.drmtechnic.com DRM/G2235A/040316/001