



OFFICIAL UK DISTRIBUTORS FOR:



# DRM Technic

Suppliers of Gas Analysis Equipment

## GAS 222.31 AMEX SAMPLE GAS PROBE

In gas analysis, the sample point is a critical interface between the process and the analysis system. The GAS 222 series of probes have a robust modular design, come assembled-to-order, are easy to install and have low operational costs.



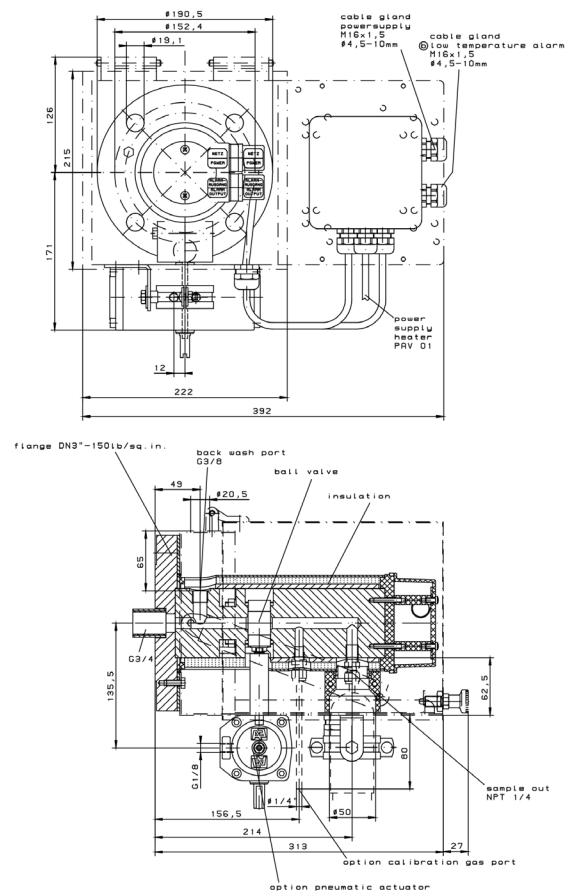
### FEATURES

**Heated sample gas probe with shut-off valve, internal filter, weather protection shield and junction box**  
**Effective insulation | Self-regulating at up to 120 °C (T3) / 70 °C (T4) | Dust concentration of up to 200 g/m<sup>3</sup>**  
**Specified for use in hazardous areas | C-US and CSA approval**

### SPECIFICATIONS

<b>Product No.</b>	<b>GAS 222.31 AMEX</b>
<b>Material</b>	1.4571 SS; ball valve: 1.4408 SS
<b>Seals</b>	PTFE, Graphite and 1.4404 SS
<b>Max. Working Pressure</b>	6 bar
<b>Voltage</b>	115-230 V, 50/60 Hz
<b>Temperature</b>	Self-regulating; 120 °C / 248 °F (T3) 70 °C / 158 °F (T4)
<b>Low Temperature Alarm</b>	Contact is open at operating temperature; closes at < 95 °C (T3) resp. < 45 °C (T4); U <sub>max</sub> =30VDC, I <sub>max</sub> = 100mA, CI/Li~0
<b>Ambient Temperature</b>	- 20 to 80 °C
<b>Suitable for</b>	Class 1, Div 2; Gps B, C, D; T3 and T4

### TECHNICAL DRAWINGS



Please see the "GAS 222 ACCESSORIES" datasheet for our full range of accessories

CONTACT US: DRM Technic, 4 Cherry Orchard, Newcastle-under-Lyme, Staffordshire, UK, ST5 2UB

DRM/G231AM/040316/001 Tel: +44 (0) 1782 638491 | Email: sales@drmtechnic.com | Web: www.drmtechnic.com DRM/G231AM/040316/001