



OFFICIAL UK DISTRIBUTORS FOR:



DRM Technic

Suppliers of Gas Analysis Equipment



GAS 222.30 ANSI/CSA SAMPLE GAS PROBE

In gas analysis, the sample point is a critical interface between the process and the analysis system. The GAS 222 series of probes have a robust modular design, allowing them to be easily adapted for applications with specific requirements. The probes are assembled-to-order, easy to install and have low operational costs.

FEATURES

Unheated sample gas probe with shut-off valve and in-situ filter
Specified for dust concentrations of up to 200 g/m³, no condensate containing gases
Specified for hazardous areas; no internal ignition point | C-US and CSA approval

SPECIFICATIONS

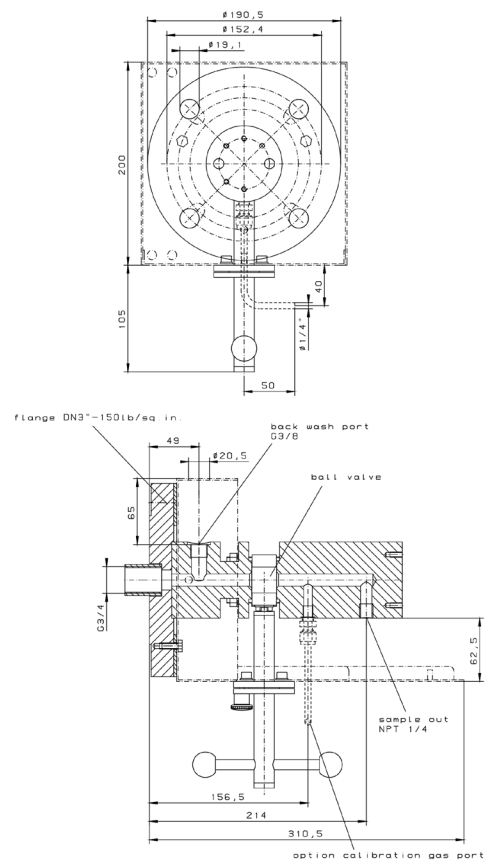
Product No.	GAS 222.30
Material	1.4571 SS; ball valve: 1.4408 SS
Seals	Graphite, 1.4404 SS + filter elements
Max. Operating Temp.	200 °C
Max. Working Pressure	6 bar

OPTIONS AND ACCESSORIES

Please see the "GAS 222 ACCESSORIES" datasheet for our full range of accessories, including:
Filter elements | Heated/Unheated Extensions |
Blowback options and control units

For more information, please feel free to contact our sales department (contact details below)

TECHNICAL DRAWINGS



CONTACT US: DRM Technic, 4 Cherry Orchard, Newcastle-under-Lyme, Staffordshire, UK, ST5 2UB

DRM/G22211/221215/001 Tel: +44 (0) 1782 638491 | Email: sales@drmtechnic.com | Web: www.drmtechnic.com DRM/G22211/221215/001