



OFFICIAL UK DISTRIBUTORS FOR:



# DRM Technic

Suppliers of Gas Analysis Equipment



## GAS 222.21 SAMPLE GAS PROBE

In gas analysis, the sample point is a critical interface between the process and the analysis system. The GAS 222 series of probes have a robust modular design, come assembled-to-order, are easy to install and have low operational costs.

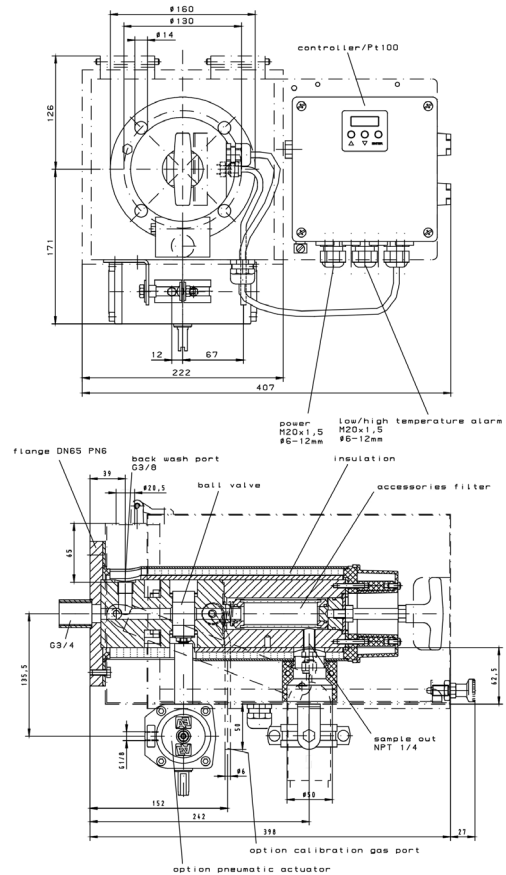
### FEATURES

- Heated sample gas probe with shut off valve, alongside an in-situ and/or downstream filter
- Tool-less downstream filter element replacement | Effective insulation and protection shield
- Electronic heater (up to 200 °C) with low/high temperature alarm and display
- For dust concentrations of up to 2 g/m<sup>3</sup> | Specified for non-hazardous areas

### SPECIFICATIONS

Product No.	GAS 222.21
Material	1.4571 SS; ball valve: 1.4408 SS
Seals	PTFE, Graphite, 1.4404 SS + filter elements
Max. Operating Temp.	200 °C
Max. Working Pressure	6 bar
Voltage	230 V, 2.0 A, 50/60 Hz; or 115 V, 3.8 A, 50/60Hz
Temperature Range	+ 50 to +200 °C
Alarm	Adjustable; + 5 ... 30 K from set point; factory set 15 K, max. current 1 A
Protection Class	IP54
Ambient Temp.	- 20 ... + 70 °C

### TECHNICAL DRAWINGS



### OPTIONS AND ACCESSORIES

Please see the "GAS 222 ACCESSORIES" datasheet for our full range of accessories.

CONTACT US: DRM Technic, 4 Cherry Orchard, Newcastle-under-Lyme, Staffordshire, UK, ST5 2UB

DRM/G22221/211215/001 Tel: +44 (0) 1782 638491 | Email: sales@drmtechnic.com | Web: www.drmtechnic.com DRM/G22221/211215/001