



OFFICIAL UK DISTRIBUTORS FOR:



DRM Technic

Suppliers of Gas Analysis Equipment

GAS 222.21 AMEX SAMPLE GAS PROBE

In gas analysis, the sample point is a critical interface between the process and the analysis system. The GAS 222 series of probes have a robust modular design, come assembled-to-order, are easy to install and have low operational costs.



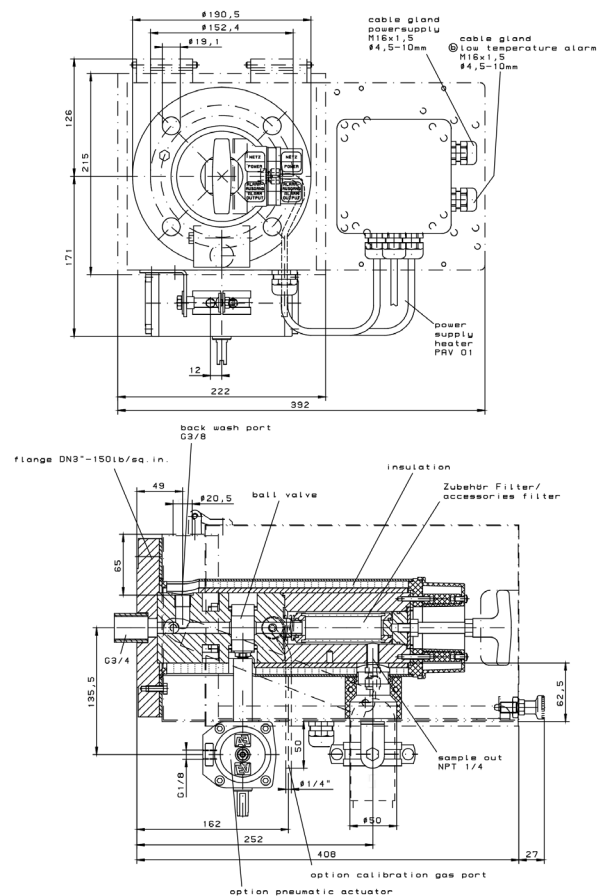
FEATURES

- Heated sample probe with an in-situ and/or downstream filter, weather protection shield and junction box
- Easy tool-less filter element replacement | Effective insulation | For use in hazardous areas
- Self-regulating at up to 120 °C (T3) / 70 °C (T4) with low temperature alarm | C-US and CSA approval
- For dust concentrations of up to 2 g/m³ with in-situ filter; 200 g/m³ with in-situ and downstream filters

SPECIFICATIONS

Product No.	GAS 222.21 AMEX
Material	1.4571 SS; ball valve: 1.4408 SS
Seals	PTFE, Graphite, 1.4404 SS + filter elements
Max. Working Pressure	6 bar
Voltage	230 V, 50/60 Hz or 115 V, 50/60 Hz
Temperature	Self-regulating; 120 °C / 248 °F (T3) 70 °C / 158 °F (T4)
Low Temperature Alarm	Contact is open at operating temp.; closes < 95 °C / 204 °F (T3); resp. < 45 °C / 113 °F (T4); U _{max} =30VDC, I _{max} = 100mA, CI/Li~0
Ambient Temperature	- 20 to 80 °C (-4 TO 176 °F)
Filter Type	In-situ and/or downstream
Suitable for:	Class 1, Div 2, Gps B, C, D, T3, T4

TECHNICAL DRAWINGS



OPTIONS AND ACCESSORIES

Please see the "GAS 222 ACCESSORIES" datasheet for our full range of accessories

CONTACT US: DRM Technic, 4 Cherry Orchard, Newcastle-under-Lyme, Staffordshire, UK, ST5 2UB

DRM/G21AM/030316/001 Tel: +44 (0) 1782 638491 | Email: sales@drmtechnic.com | Web: www.drmtechnic.com DRM/G21AM/030316/001