

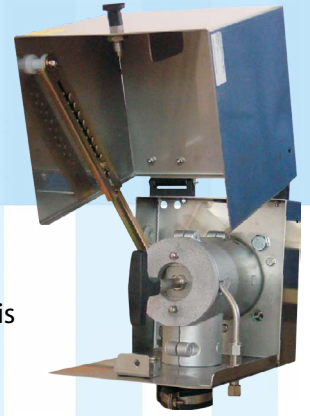


OFFICIAL UK DISTRIBUTORS FOR:



DRM Technic

Suppliers of Gas Analysis Equipment



GAS 222.20DH SAMPLE GAS PROBE

In gas analysis, the sample point is a critical interface between the process and the analysis system. The GAS 222 series of probes have a robust modular design, come assembled-to-order, are easy to install and have low operational costs.

FEATURES

- Heated sample gas probe with downstream filter
- Easy filter element replacement
- For dust concentrations of up to 2 g/m^3
- For hazardous areas with no internal ignition point

OPTIONS AND ACCESSORIES

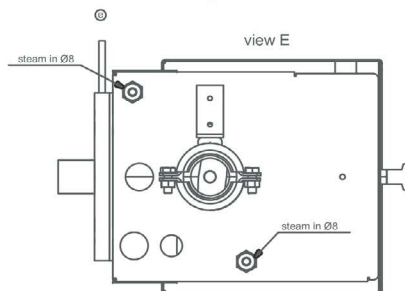
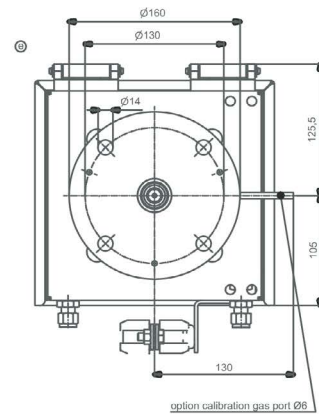
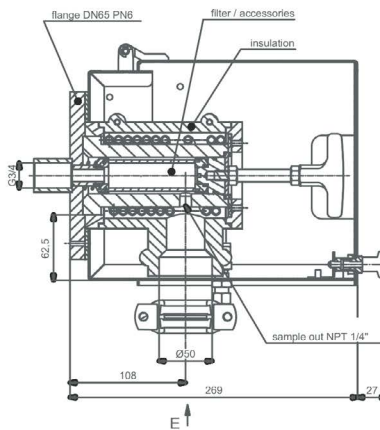
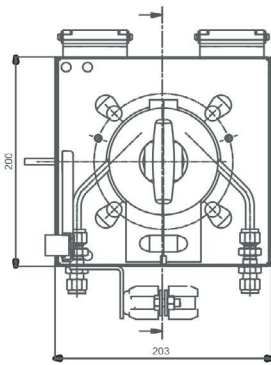
Please see the "GAS 222 ACCESSORIES" datasheet for our full range of accessories

SPECIFICATIONS

Product No.	GAS 222.20 DH
Material	1.4571 SS
Seals	Graphite, 1.4404 SS
Operating Temperature	Max. 200 °C
Max. Working Pressure	6 bar
Max. Steam Pressure	5 bar 150 °C

TECHNICAL DRAWINGS

view without weather protection shield



CONTACT US: DRM Technic, 4 Cherry Orchard, Newcastle-under-Lyme, Staffordshire, UK, ST5 2UB

DRM/G2222DH/180216/001 | Tel: +44 (0) 1782 638491 | Email: sales@drmtechnic.com | Web: www.drmtechnic.com | DRM/G2222DH/180216/001