



OFFICIAL UK DISTRIBUTORS FOR:



# DRM Technic

Suppliers of Gas Analysis Equipment



## GAS 222.20DH ANSI SAMPLE GAS PROBE

In gas analysis, the sample point is a critical interface between the process and the analysis system. The GAS 222 series of probes have a robust modular design, come assembled-to-order, are easy to install and have low operational costs.

### FEATURES

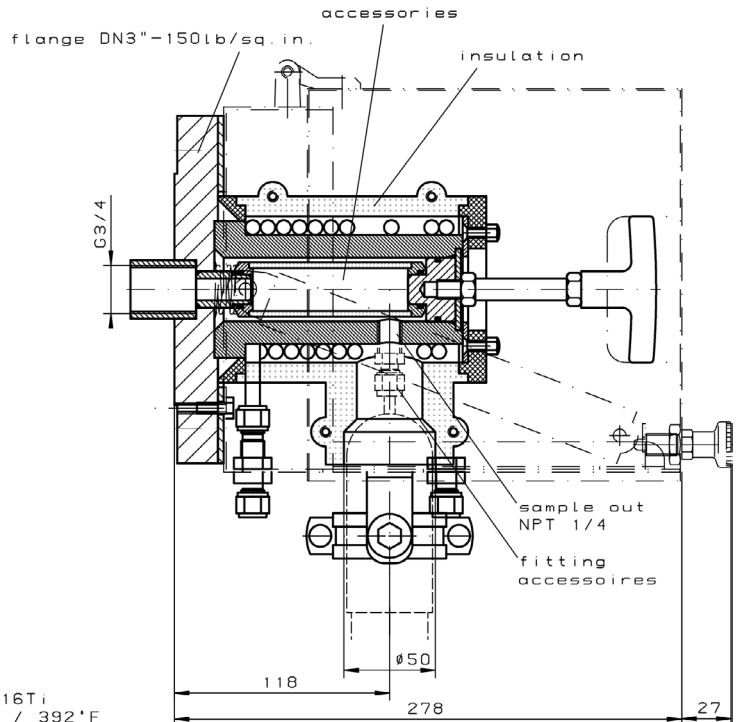
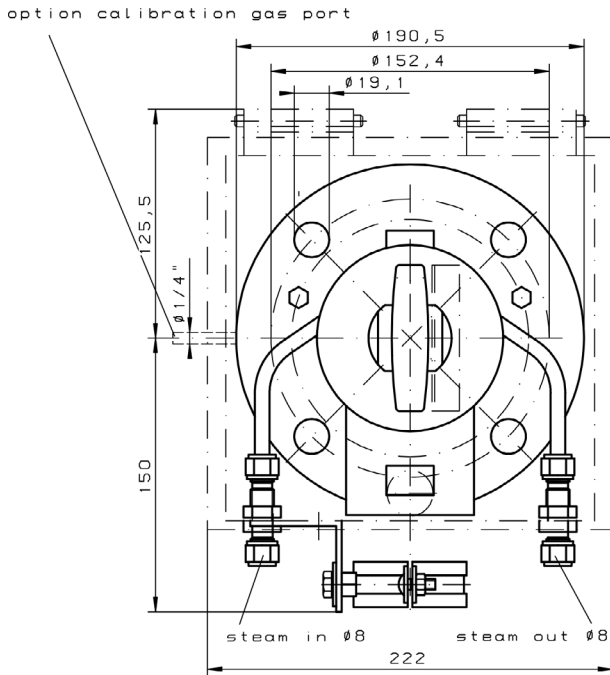
- Heated sample gas probe with downstream filter
- Easy filter element replacement
- For dust concentrations of up to 2 g/m<sup>3</sup>
- For hazardous areas with no internal ignition point
- Heating by steam

Please see the "GAS 222 ACCESSORIES" datasheet for our full range of accessories

### SPECIFICATIONS

Product No.	GAS 222.20DH ANSI
Material	1.4571 SS
Seals	Graphite, 1.4404 SS
Operating Temperature	Max. 200 °C
Max. Working Pressure	6 bar
Max. Steam Pressure	5 bar 150 °C

### TECHNICAL DRAWINGS



-materials flange, head | 1.4571/SS316T;  
 -operating temperature probe | max. 200°C / 392°F

CONTACT US: DRM Technic, 4 Cherry Orchard, Newcastle-under-Lyme, Staffordshire, UK, ST5 2UB

DRM/G20DHA/040316/001 | Tel: +44 (0) 1782 638491 | Email: sales@drmtechnic.com | Web: www.drmtechnic.com | DRM/G20DHA/040316/001