

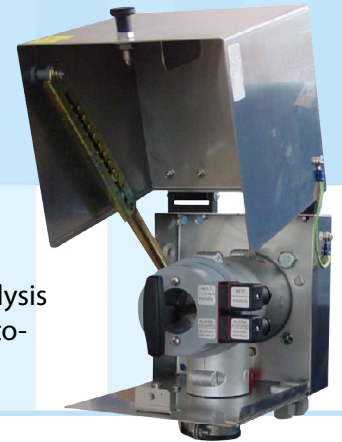


OFFICIAL UK DISTRIBUTORS FOR:



DRM Technic

Suppliers of Gas Analysis Equipment



GAS 222.20 ATEX 2 SAMPLE GAS PROBE

In gas analysis, the sample point is a critical interface between the process and the analysis system. The GAS 222 series of probes have a robust modular design, come assembled-to-order, are easy to install and have low operational costs.

FEATURES

- Heated sample gas probe with downstream filter and weather protection shield
- Easy filter element replacement | Effective insulation and protection shield
- For dust concentrations of up to 2 g/m³ | Self-regulating at up to 130 °C (T3) / 70 °C (T4)
- Specified for use in hazardous areas

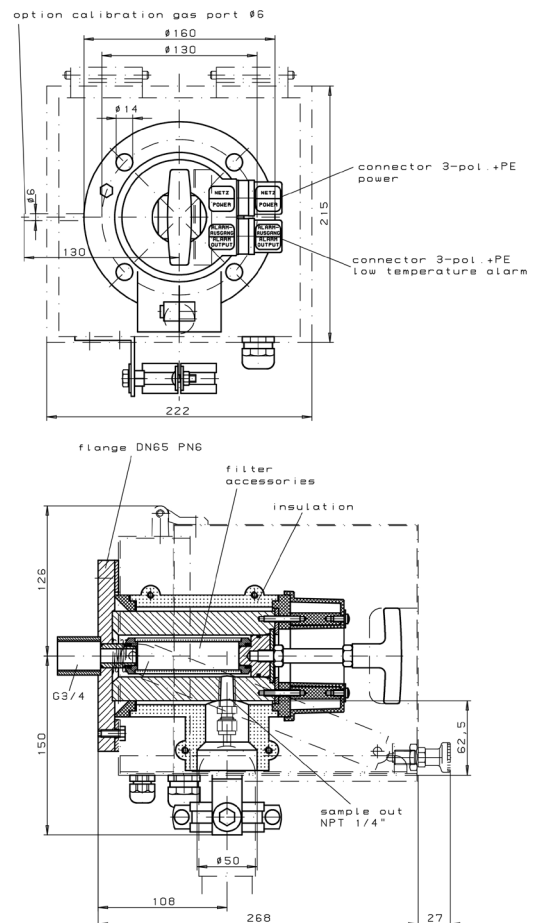
SPECIFICATIONS

Product No.	GAS 222.20 ATEX 2
Material	1.4571 SS
Seals	Graphite, 1.4404 SS + filter elements
Max. Working Pressure	6 bar
Heater	115-230 V, 50/60 Hz
Temperature	Self-regulating; + 130 °C (T3) / + 70 °C (T4)
Low Temperature Alarm	Contact is open at operating temperature; closes at < 95 °C (T3) resp. < 45 °C (T4); U _{max} =30VDC, I _{max} = 100mA, CI/Li~0
Ambient Temperature	- 20 to 80 °C
II 3G EEx nA L IIC T3	3G c IIC T3
II 3G EEx nA L IIC T4	3G c IIC T4

OPTIONS AND ACCESSORIES

Please see the "GAS 222 ACCESSORIES" datasheet for our full range of accessories

TECHNICAL DRAWINGS



CONTACT US: DRM Technic, 4 Cherry Orchard, Newcastle-under-Lyme, Staffordshire, UK, ST5 2UB

DRM/G2222A2/221215/001 Tel: +44 (0) 1782 638491 | Email: sales@drmtechnic.com | Web: www.drmtechnic.com DRM/G2222A2/221215/001