



OFFICIAL UK DISTRIBUTORS FOR:



DRM Technic

Suppliers of Gas Analysis Equipment



GAS 222.20 ANSI/CSA SAMPLE GAS PROBE

In gas analysis, the sample point is a critical interface between the process and the analysis system. The GAS 222 series of probes have a robust modular design, come assembled-to-order, are easy to install and have low operational costs.

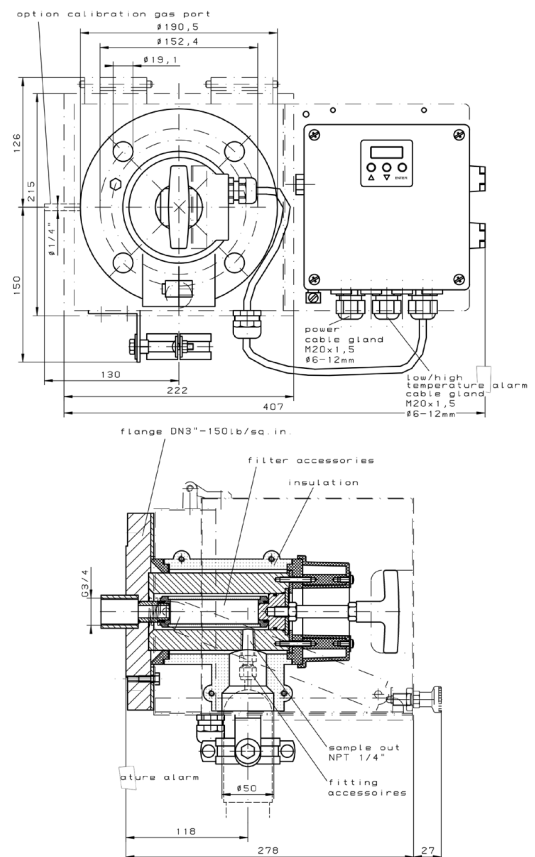
FEATURES

- Heated sample gas probe with downstream filter and weather protection shield
- Electronic heater (up to 200 °C) with low/high temperature alarm and display
- Easy filter element replacement | Effective insulation and protection shield
- For dust concentrations of up to 2 g/m³ | Specified for non-hazardous areas | C-US / CSA Approval

SPECIFICATIONS

Product No.	GAS 222.20 ANSI/CSA
Material	1.4571 SS
Seals	Graphite, 1.4404 SS + filter elements
Max. Operating Temp.	200 °C
Max. Working Pressure	6 bar
Voltage	230 V, 2.0 A, 50/60 Hz; or 115 V, 3.8 A, 50/60Hz
Temperature Range	+ 50 to +200 °C
Alarm	Adjustable; + 5 ... 30 K from set point; factory set 15 K, max. current 1 A
Protection Class	IP54
Ambient Temp.	- 20 ... + 70 °C

TECHNICAL DRAWINGS



OPTIONS AND ACCESSORIES

Please see the "GAS 222 ACCESSORIES" datasheet for our full range of accessories, including:

- Filter elements | Heated/Unheated Extensions |
- Blowback options and control units

CONTACT US: DRM Technic, 4 Cherry Orchard, Newcastle-under-Lyme, Staffordshire, UK, ST5 2UB

DRM/G220AC/020316/001 | Tel: +44 (0) 1782 638491 | Email: sales@drmtechnic.com | Web: www.drmtechnic.com | DRM/G220AC/020316/001