



OFFICIAL UK DISTRIBUTORS FOR:



DRM Technic

Suppliers of Gas Analysis Equipment



GAS 222.20 AMEX SAMPLE GAS PROBE

In gas analysis, the sample point is a critical interface between the process and the analysis system. The GAS 222 series of probes have a robust modular design, come assembled-to-order, are easy to install and have low operational costs.

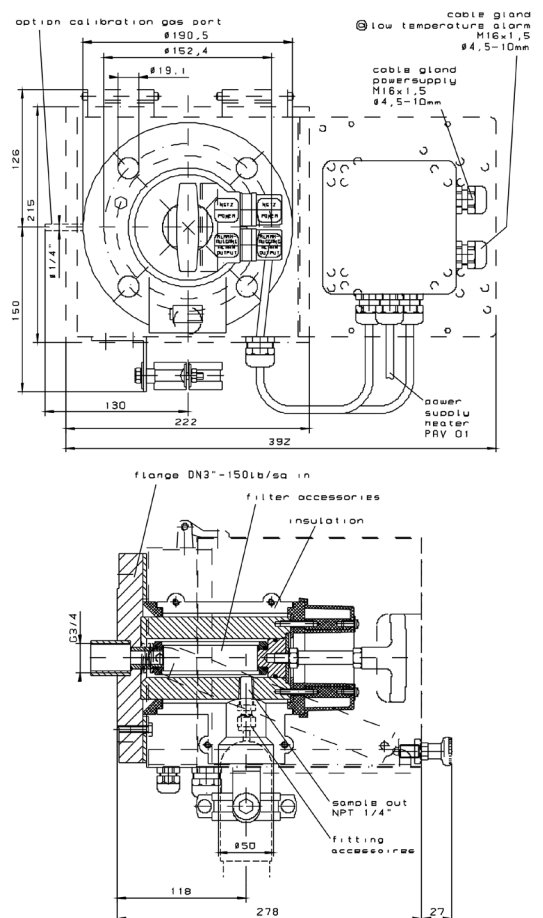
FEATURES

Heated sample gas probe with downstream filter, weather protection shield and junction box
Easy filter element replacement | Effective insulation and protection shield |
For dust concentrations of up to 2 g/m³ | Self-regulating at up to 130 °C (T3) / 70 °C (T4)

SPECIFICATIONS

Product No.	GAS 222.20 AMEX
Material	1.4571 SS
Seals	Graphite, 1.4404 SS + filter elements
Max. Working Pressure	6 bar
Voltage	115 - 230 V, 50/60 Hz
Low Temp. Alarm	Contact is open at operating temp.; closes at < 95 °C (T3) resp. < 45 °C (T4) Umax = 30 V DC, Imax = 100mA, Ci/Li~0
Temp. (self-regulating)	130 °C / 266 °F (T3) 70 °C / 158 °F (T4)
Ambient Temp.	-20 to +80 °C
Suitable Applications	Class I Div 2, Gps B,C,D, T3 and T4

TECHNICAL DRAWINGS



OPTIONS AND ACCESSORIES

Please see the "GAS 222 ACCESSORIES" datasheet for our full range of accessories

CONTACT US: DRM Technic, 4 Cherry Orchard, Newcastle-under-Lyme, Staffordshire, UK, ST5 2UB

Tel: +44 (0) 1782 638491 | Email: sales@drmtechnic.com | Web: www.drmtechnic.com

DRM/G2220A/
211215/001

DRM/G2220A/
211215/001