



OFFICIAL UK DISTRIBUTORS FOR:



DRM Technic

Suppliers of Gas Analysis Equipment



GAS 222.17 SAMPLE GAS PROBE

In gas analysis, the sample point is a critical interface between the process and the analysis system. The GAS 222 series of probes have a robust modular design, allowing them to be easily adapted to application specific requirements. The probes are assembled-to-order, easy to install and have low operational costs.

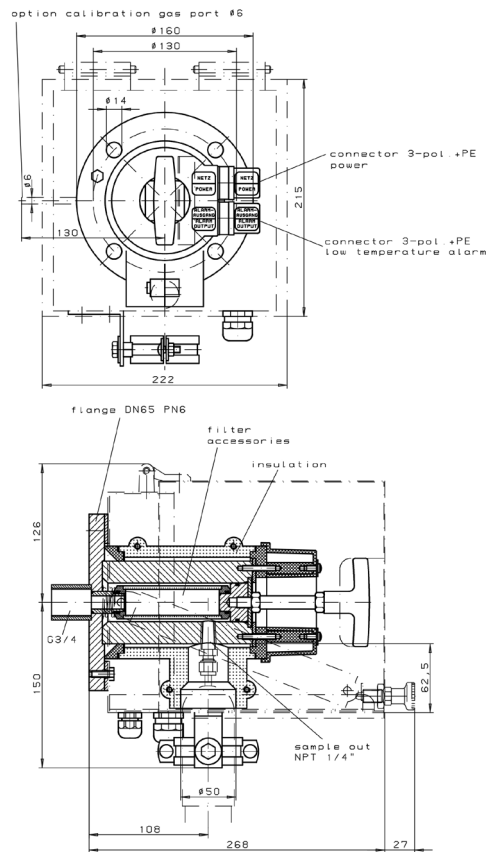
FEATURES

Heated sample gas probe with downstream filter and weather protection shield
Easy filter element replacement | Self-regulating up to 180 °C with low temperature alarm
For dust concentrations of up to 2 g/m³ | Specified for non-hazardous areas

SPECIFICATIONS

| Product No. | GAS 222.17 |
|-----------------------|--|
| Material | 1.4571 SS |
| Seals | Graphite, 1.4404 SS + filter elements |
| Max. Operating Temp. | 200 °C |
| Max. Working Pressure | 6 bar |
| Voltage | 115/230 V, 50/60 Hz |
| Temperature | Self-regulating; +180 °C |
| Low Temp. Alarm | Contact is open at operating temperature, closes at < 140 °C, current max. 4 A |
| Ambient Temp. | -20 to + 80 °C |

TECHNICAL DRAWINGS



OPTIONS AND ACCESSORIES

Please see the "GAS 222 ACCESSORIES" datasheet for our full range of accessories, including:
 Filter elements | Heated/Unheated Extensions |
 Blowback options and control units

CONTACT US: DRM Technic, 4 Cherry Orchard, Newcastle-under-Lyme, Staffordshire, UK, ST5 2UB

DRM/G22217/221215/001 Tel: +44 (0) 1782 638491 | Email: sales@drmtechnic.com | Web: www.drmtechnic.com DRM/G22217/221215/001