



OFFICIAL UK DISTRIBUTORS FOR:

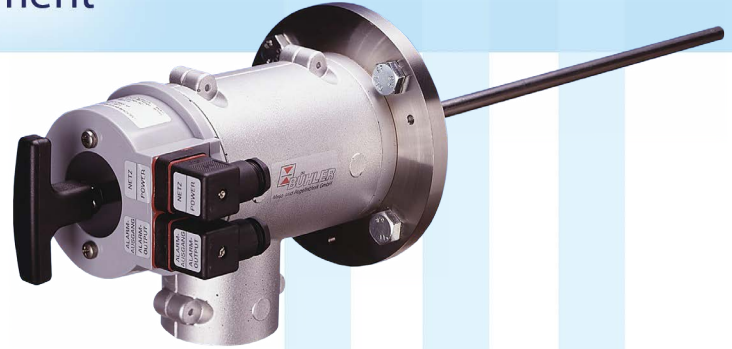


DRM Technic

Suppliers of Gas Analysis Equipment

GAS 222.15 ANSI/CSA SAMPLE GAS PROBE

In gas analysis, the sample point is a critical interface between the process and the analysis system. The GAS 222 series of probes have a robust modular design, allowing them to be easily adapted for applications with specific requirements.



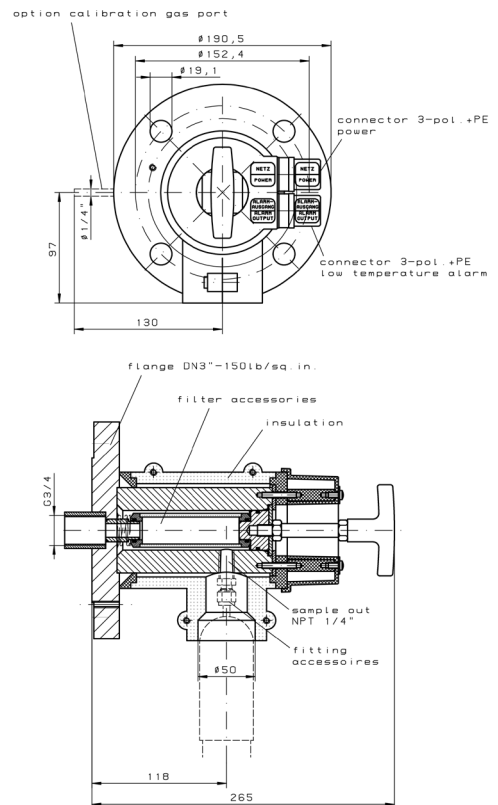
FEATURES

Heated sample gas probe with downstream filter | Easy filter element replacement
Effective insulation and protection shield | Self-regulating with low temperature alarm
For dust concentrations of up to 2 g/m³ | Specified for non-hazardous areas | C-US / CSA approval

SPECIFICATIONS

Product No.	GAS 222.15 ANSI/CSA
Material	1.4571 SS
Seals	Graphite, 1.4404 SS + filter elements
Max. Operating Temp.	200 °C
Max. Working Pressure	6 bar
Voltage	115/230 V, 50/60 Hz
Temperature	+180 °C (Self-regulating)
Low Temp. Alarm	Contact is open at operating temperature, closes at < 140 °C, current max. 4 A
Ambient Temp.	-20 to + 80 °C

TECHNICAL DRAWINGS



OPTIONS AND ACCESSORIES

Please see the "GAS 222 ACCESSORIES" datasheet for our full range of accessories, including:
 Filter elements | Heated/Unheated Extensions |
 Blowback options and control units

CONTACT US: DRM Technic, 4 Cherry Orchard, Newcastle-under-Lyme, Staffordshire, UK, ST5 2UB

DRM/G22215/211215/001 Tel: +44 (0) 1782 638491 | Email: sales@drmtechnic.com | Web: www.drmtechnic.com DRM/G22215/211215/001