



OFFICIAL UK DISTRIBUTORS FOR:

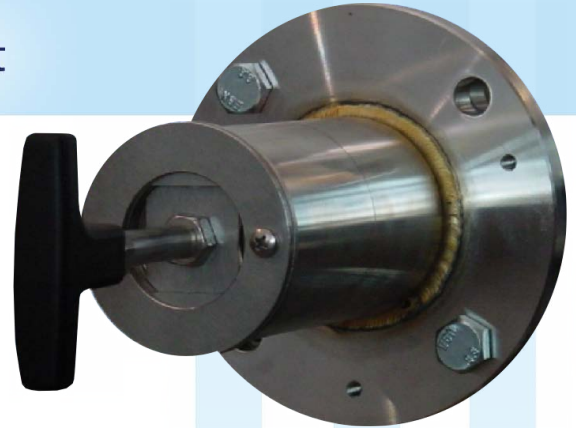


# DRM Technic

Suppliers of Gas Analysis Equipment

## GAS 222.10 ANSI SAMPLE GAS PROBE

In gas analysis, the sample point is a critical interface between the process and the analysis system. The GAS 222 series of probes have a robust modular design, allowing them to be easily adapted for applications with specific requirements. The probes are assembled-to-order, easy to install and have low operational costs.



### FEATURES

**Unheated sample gas probe with downstream filter | Easy filter element replacement  
For dust concentrations of up to 2 g/m<sup>3</sup> | Specified for hazardous areas; no internal ignition point**

### SPECIFICATIONS

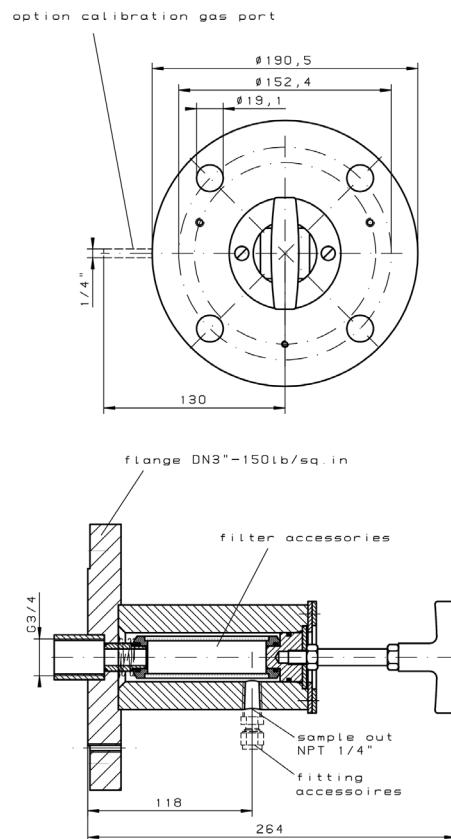
<b>Product No.</b>	<b>GAS 222.10 ANSI</b>
Material	1.4571 SS
Seals	Graphite, 1.4404 SS + filter elements
Max. Operating Temp.	200 °C
Max. Working Pressure	6 bar

### OPTIONS AND ACCESSORIES

Please see the "GAS 222 ACCESSORIES" datasheet for our full range of accessories, including:  
Filter elements | Heated/Unheated Extensions |  
Blowback options and control units

For more information, please feel free to contact our sales department (contact details below)

### TECHNICAL DRAWINGS



CONTACT US: DRM Technic, 4 Cherry Orchard, Newcastle-under-Lyme, Staffordshire, UK, ST5 2UB

DRM/G2210A/020316/001 Tel: +44 (0) 1782 638491 | Email: sales@drmtechnic.com | Web: www.drmtechnic.com DRM/G2210A/020316/001