



OFFICIAL UK DISTRIBUTORS FOR:



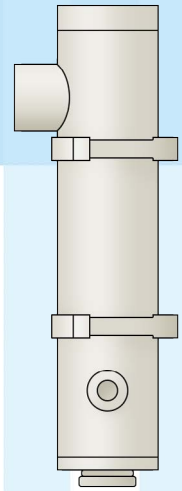
DRM Technic

Suppliers of Gas Analysis Equipment

161 PVDF SPEC. SCRUBBER

The 161 PVDF Spec. Scrubber uses contact between water and the sample gas to remove unwanted components from the gas stream. The jacket and the inner tube are filled with water to a defined level. The sample gas inlet is situated below water level. The "clean" gas exists at the top of the scrubber.

A stainless steel version is available upon request.



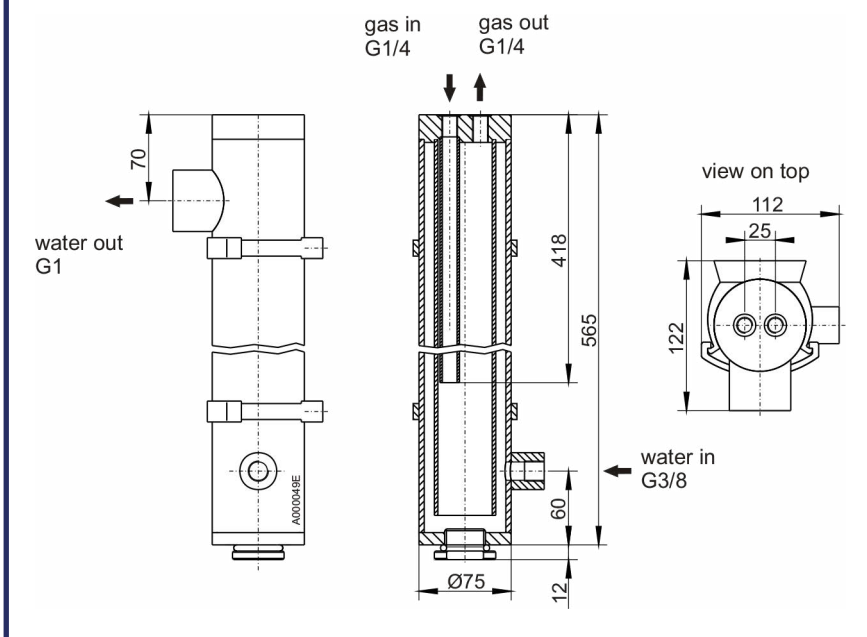
FEATURES

- Low-maintenance
- Easy to install
- Stainless Steel Version Available Upon Request
- Can be Customised Based on Your Application Requirements

SPECIFICATIONS

Product No.	161 PVDF spec.
Material	PVDF
Water Consumption	Max. 120 l/h
Gas Flow	Max. 420 l/h
Max. Operating Pressure	2 bar / 29 psi
Max. Operating Temperature	+ 80 °C / 180 °F

TECHNICAL DRAWINGS



OPTIONS AND ACCESSORIES

Product No.	Description
AK 20 V / 11 LD spec	Pre-Coolers with Automatic Drain Valve (PVDF / SS)
165 SS / 167 T	Pre-Coolers with Separator and Coarse Filter
170 IST	SS Chiller
170 IST Titanium	Titanium Chiller

For more information, please feel free to contact our sales department

CONTACT US: DRM Technic, 4 Cherry Orchard, Newcastle-under-Lyme, Staffordshire, UK, ST5 2UB

DRM/161PSS/300316/001 Tel: +44 (0) 1782 638491 | Email: sales@drmtechnic.com | Web: www.drmtechnic.com DRM/161PSS/300316/001