

# DRM Technic

Suppliers of Gas Analysis Equipment

## FM-630-xx VARIABLE FLOW METERS

The FM-630-xx Flow Meters are specified for measuring the instantaneous flow rate of virtually any process liquid or gas. They have rear facing connections as standard, and are supplied complete with 2x M3 mounting studs which are 10mm long.



### FEATURES

**Excellent Corrosion Resistance | Direct Reading of Instantaneous Flow Rate | Easy In-Situ Tube Removal  
Polycarbonate Safety Cover | Rear Facing Connections | Minimal Maintenance | Long Service Life**

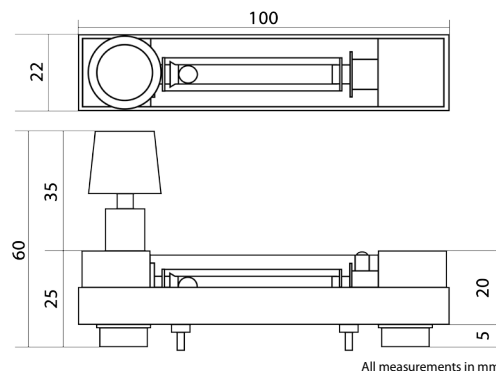
### SPECIFICATIONS

Product No.	FM-630-xx
<b>Technical Specifications</b>	
Ranges	FM-630-2 : 0.2 to 2.0 l/min FM-630-10 : 1.0 to 10 l/min
Process Connections	1/8" NPT
Max. Working Pressure	Gas: Up to 20 bar g (non-shock) Liquid: Up to 20 bar g (non-shock)
Max. Working Temp.	60 °C Nitrile / 100 °C Viton
Accuracy	± 5% FSD for predicted scales ± 3% FSD for calibrated scales
Weight	170 grams
<b>Materials</b>	
Chassis	Stainless Steel
End Block	Stainless Steel
Cover	Polycarbonate
Seals	Nitrile or Viton
Metering Tube	Borosilicate Glass
Ball Floats	Black Glass, Stainless Steel, Ruby, Tungsten, Ceramic
Plumb Bob Floats	Anodised Aluminium, Stainless Steel, PVC
Scale	Permanently Fired (Black)

### OPTIONS AND ACCESSORIES

Product No.	Description
FM630-BKT	Top-hat Bracket
FM630-F	Spare Float
FM-630TS	Spare Tube with Seal
FM-630Txx	Spare Tube with Seal and Float

### TECHNICAL DRAWINGS



For more information, please contact our sales department