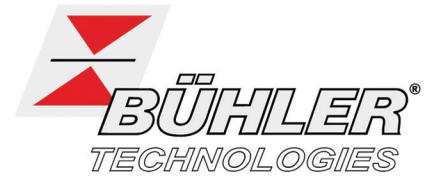




OFFICIAL UK DISTRIBUTORS FOR:



DRM Technic

Suppliers of Gas Analysis Equipment

WS60 WATER STOP FILTERS

WS60 membrane filters consist of a hydrophobic (PTFE) membrane filter in a polypropylene housing. They are supplied with a 0.2 µm pore size membrane and are ideally suited for all gas analysis purposes.

They have excellent chemical stability and are designed for inline particulate and moisture protection within the gas line. They should be used as a "police" filter immediately prior to the analyser.



SPECIFICATIONS

Filter Material	PTFE with PP gauze
Housing Material	Polypropylene
Filtration Area	20 cm ²
Housing diameter	64 mm
Max. Pressure	300kPa (3 bar)
Water Penetration	400 kPa (4 bar at 0.2 µm)
Max. Temperature	134 °C
Weight	20g

Typical Air Flow Rates (Flow rate for air at 0.2 µm)

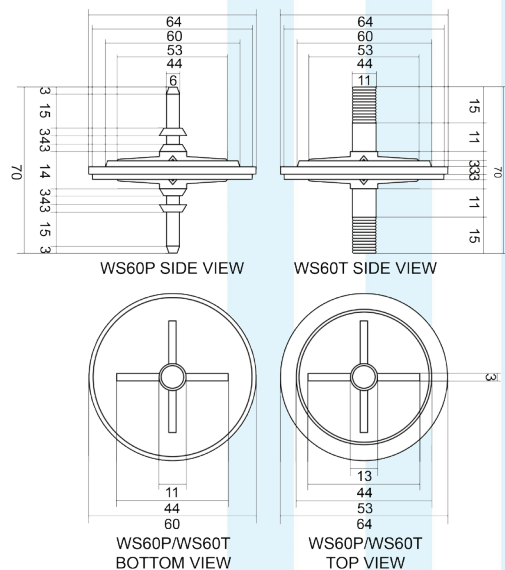
Δp = 0.02 bar 1.1 l/min

Δp = 0.05 bar 2.9 l/min

Δp = 0.10 bar 5.0 l/min

Note: WS60 series units can also be used for the filtration of aqueous liquids, but the hydrophobic PTFE membrane filter must be first wetted with a water-miscible solvent, such as ethanol.

TECHNICAL DRAWINGS



OPTIONS AND ACCESSORIES

CONFIGURATION OPTIONS

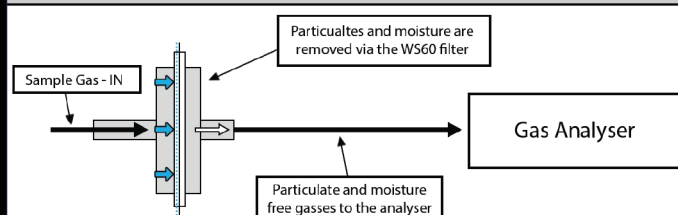
PN	Description
WS60T	1/8" NPT (Male) inlet / outlet
WS60P	6mm tube connection

ACCESSORIES

PN	Description
WS60-FK	Fitting Kit for WS60T (2 x 1/8" x 6mm)

"WATER STOP" Membrane Filter - WS60

Low Cost Effective Protection Against Expensive Analyser Failure



WS60 is a consumable item that should be replaced every 12 months

CONTACT US: DRM Technic, 4 Cherry Orchard, Newcastle-under-Lyme, Staffordshire, UK, ST5 2UB

DRM/WS60/211115/002 Tel: +44 (0) 1782 638491 | Email: sales@drmtechnic.com | Web: www.drmtechnic.com

DRM/WS60/211115/002