

DRM Technic

Suppliers of Gas Analysis Equipment



RAF-PV-30 AMBIENT AIR FILTER

The RAF-PV-30 Ambient Air Filter uses a fine upstream filter element to eliminate fugitive particulate matter in an ambient air sample gas stream.

FEATURES

Unique Bühler QC Bracket | Easy Change of Filter Media without Tools | Versatile Mounting Bracket

SPECIFICATIONS

Filter Elements

Type	Element	Material	Pores	Surface Area	Range of Use
S2	Husk	Glass Fibre	2 µm	80 cm ²	Group IIC
F25	PTFE	PTFE sintered	25 µm	60 cm ²	Group IIB

Filter Housings

Product No. RAF-PV-30

Materials

Filter Head PVDF

Filter Bowl Glass

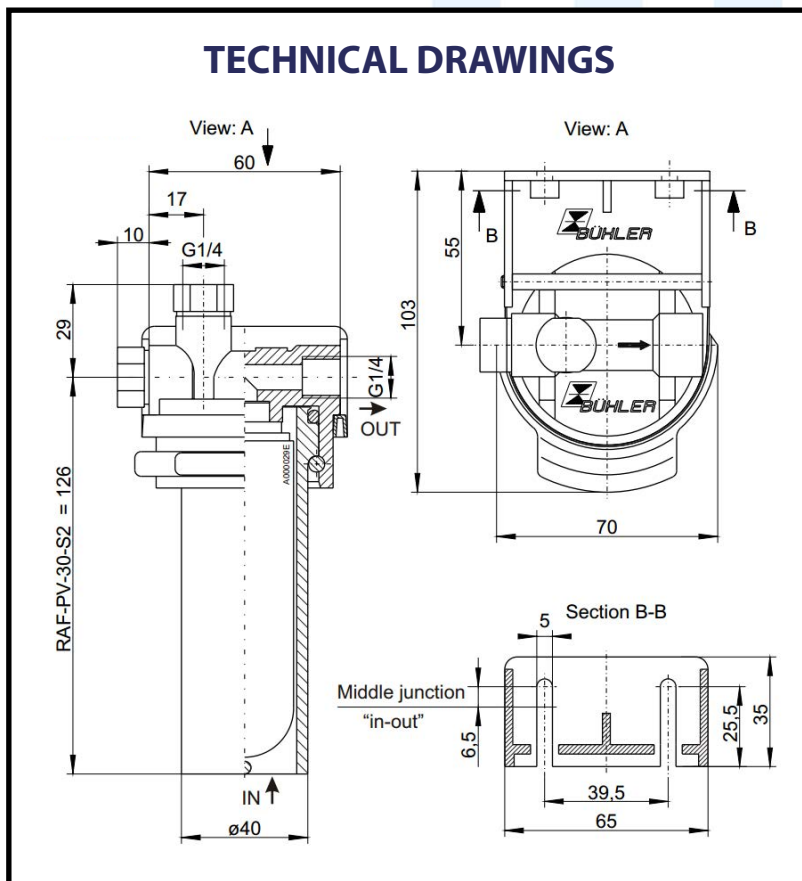
Seal Viton

Technical Data

Temperature Max. 100 °C

Weight Approx. 0.28 kg

TECHNICAL DRAWINGS



OPTIONS AND ACCESSORIES

Type	Element
RAF-PV-30-S2	RAF-PV-30 with S2 elements
RAF-PV-30-F25	RAF-PV-30 with F25 elements

For more information, please contact our sales department